

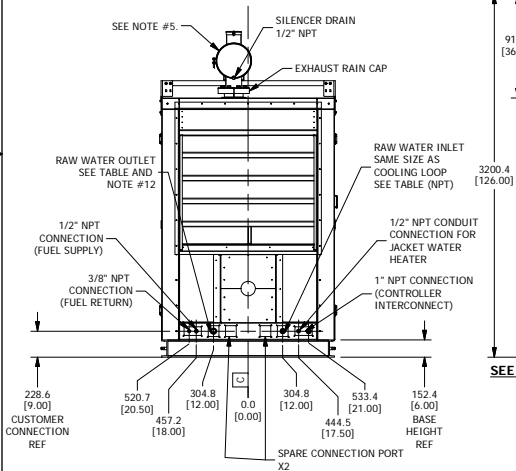
- DATUMS:**
- A- MOUNTING FACE OF FLYWHEEL
 - B- ENGINE CRANKSHAFT HORIZONTAL CENTERLINE
 - C- ENGINE CRANKSHAFT VERTICAL CENTERLINE
 - D- PUMP INPUT SHAFT OR RIGHT ANGLE GEAR INPUT SHAFT HORIZONTAL CENTERLINE
 - E- PUMP INPUT SHAFT OR RIGHT ANGLE GEAR INPUT SHAFT VERTICAL FACE

CAUTION:
ALL PLUMBING MUST BE SUPPORTED AND/OR ISOLATED SO THAT NO WEIGHT OR STRESS IS APPLIED TO ANY ENGINE COMPONENT.

INSTALLATION NOTES:

- 1) CAUTION: SPREADER BARS REQUIRED TO MOVE PACKAGE DAMAGE DUE TO IMPROPER HANDLING IS NOT WARRANTABLE
- 2) FUEL SUPPLY PIPING FROM TANK TO ENGINE SHOULD BE 1/2" MINIMUM PIPE DIAMETER
- 3) FUEL RETURN PIPING FROM TANK TO ENGINE SHOULD BE 3/8" MINIMUM PIPE DIAMETER
- 4) PIPING & CABLING CONNECTIONS BETWEEN THE DIESEL ENGINE CONTROLLER & FUEL TANK TO BE DONE BY CUSTOMER. FUEL TANK & CONTROLLER TO BE INSTALLED ACCORDING TO NFPA-20 AND ENGINE MANUFACTURER RECOMMENDATIONS.
- 5) ENGINE SILENCER, MOUNTING BRACKETS, MOUNTING BANDS, FLAPPER, RAIN CAP, AND HARDWARE TO BE SHIPPED SEPARATELY ON A SKID AND INSTALLED ON SITE.
- 6) ENGINE, FRAME, AND ENCLOSURE TO BE THE COLOR: RAL 3001 SIGNAL RED.
- 7) ENCLOSURE FINISH TO BE TEXTURED POWDER COAT.
- 8) ENCLOSURE MATERIAL: 0.10" THICK 5052 H32 ALUMINUM
- 9) FOR ESTIMATED TOTAL WEIGHT AND SHIPPING DIMENSIONS SEE SEE DRAWING C137470.
- 10) OFFSET "G" CAN BE ABOVE OR BELOW DATUM B. THIS OFFSET IS REQUIRED AND IS THE RESPONSIBILITY OF THE CUSTOMER TO SET THE PROPER HEIGHT FOR THE PUMP. SEE DRAWING D769 FOR OFFSET FOR PUMP SHAFT WITH OR WITHOUT A TORSIONAL COUPLING

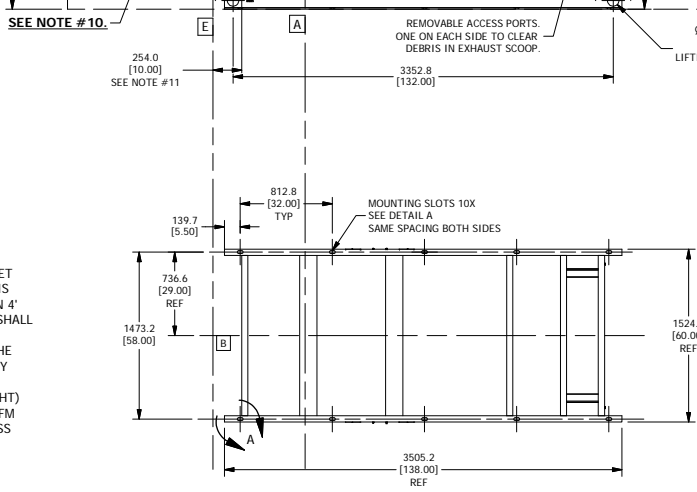
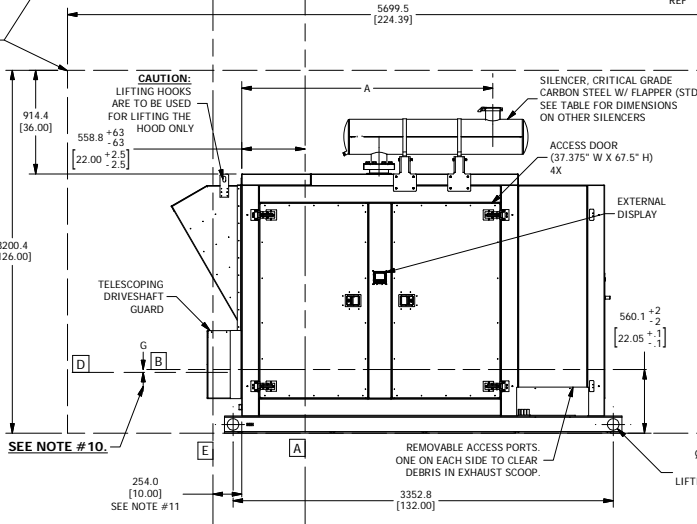
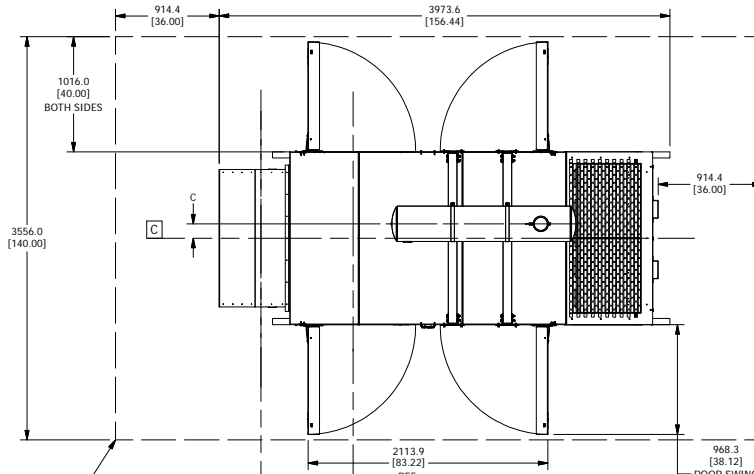
NOTICE:
MINIMUM CLEARANCE



NOTES CONTINUED

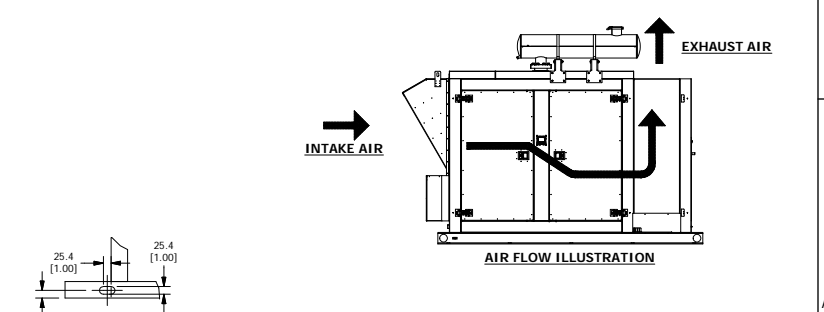
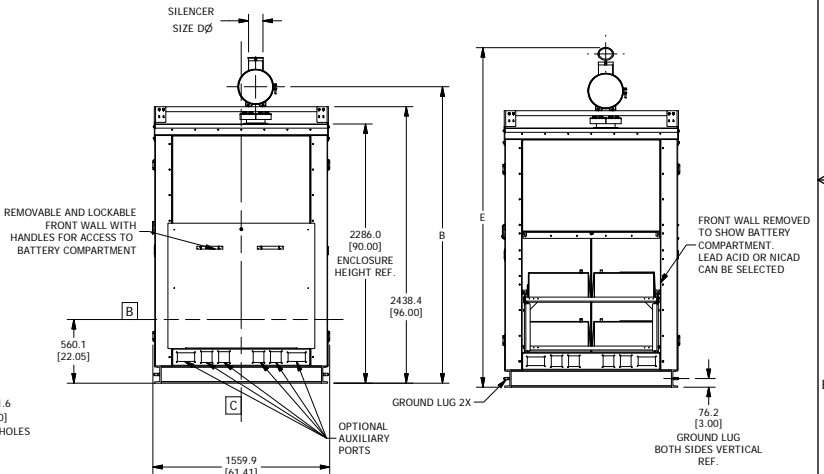
- 11) LOCATION OF THE PUMP INPUT SHAFT OR RIGHT ANGLE GEAR INPUT SHAFT IS HELD BY CONTROLLING THE COMBINATION OF DRIVE PLATE OR TORSIONAL COUPLING AND THE DRIVESHAFT.
- 12) PER NFPA 20 11.2.8.7.1 AN OUTLET SHALL BE PROVIDED FOR THE WASTEWATER LINE FROM THE HEAT EXCHANGER, AND THE DISCHARGE SHALL NOT BE LESS THAN ONE SIZE LARGER THAN THE INLET LINE. ALSO PER NFPA 20 11.2.8.7.4 WHEN THE WASTE OUTLET PIPING IS LONGER THAN 15' (4.6 m) OR ITS OUTLET DISCHARGES ARE MORE THAN 4' (1.2m) HIGHER THAN THE HEAT EXCHANGER, OR BOTH, THE PIPE SIZE SHALL BE INCREASED BY AT LEAST ONE SIZE.
- 13) ALL PIPING CONNECTIONS FOR COOLING WATER FROM THE PUMP TO THE CUSTOMER CONNECTIONS ON THE ENCLOSURE ARE TO BE INSTALLED BY THE CUSTOMER PER NFPA 20.
- 14) THIS PACKAGE WILL REQUIRE A HIGH-CUBE CONTAINER FOR SEA FREIGHT)
- 15) THE LOOP SHOWN IS BASED ON STANDARD LOOP CONSTRUCTION AND FM SIZING CONDITIONS. FOR ALTERNATE LOOP CONSTRUCTION (STAINLESS STEEL, SEA WATER, AND HIGH PRESSURE) SIZES MAY VARY.

BOUNDARY BOX SHOWS MINIMUM CLEARANCE AROUND ENCLOSURE



REV	DESCRIPTION	ECN#	DWN	APVD	DATE
A	PRELIMINARY ENGINEERING DRAWING	5076	CRD	ACH	17OCT18
-	ADDED WIDTH DIMENSION	5076	ACH	ACH	18DEC18

ENGINE MODELS	DIMENSIONS	CARBON STEEL	316 STAINLESS STEEL	CARBON STEEL SPARK ARRESTING	316 STAINLESS STEEL SPARK ARRESTING	COOLING WATER ¹⁾		FUEL LINE SIZE	
						SUPPLY	RETURN	SUPPLY	RETURN
JUH4H-UF4E0, -UF4E5, -UF4E2	A	80.2	80.2	87.2	80.2				
JUH4H-UF4D0, -UF4D5	B	101.3	101.3	103.3	103.3	0.5"	1"		
JUH4H-UF30, -UF32, -UF34, -UF50, -UF52, -UF54, -UF58, -UF60, -UF62, -UF64, -UF66, -UF68, -UF70, -UF72, -UF74, -UF76, -UF78, -UF80, -UF82, -UF84, -UF86, -UF88, -UF90, -UF92, -UF94, -UF96, -UF98, -UF100, -UF102, -UF104, -UF106, -UF108, -UF110, -UF112, -UF114, -UF116, -UF118, -UF120, -UF122, -UF124, -UF126, -UF128, -UF130, -UF132, -UF134, -UF136, -UF138, -UF140, -UF142, -UF144, -UF146, -UF148, -UF150, -UF152, -UF154, -UF156, -UF158, -UF160, -UF162, -UF164, -UF166, -UF168, -UF170, -UF172, -UF174, -UF176, -UF178, -UF180, -UF182, -UF184, -UF186, -UF188, -UF190, -UF192, -UF194, -UF196, -UF198, -UF200, -UF202, -UF204, -UF206, -UF208, -UF210, -UF212, -UF214, -UF216, -UF218, -UF220, -UF222, -UF224, -UF226, -UF228, -UF230, -UF232, -UF234, -UF236, -UF238, -UF240, -UF242, -UF244, -UF246, -UF248, -UF250, -UF252, -UF254, -UF256, -UF258, -UF260, -UF262, -UF264, -UF266, -UF268, -UF270, -UF272, -UF274, -UF276, -UF278, -UF280, -UF282, -UF284, -UF286, -UF288, -UF290, -UF292, -UF294, -UF296, -UF298, -UF300, -UF302, -UF304, -UF306, -UF308, -UF310, -UF312, -UF314, -UF316, -UF318, -UF320, -UF322, -UF324, -UF326, -UF328, -UF330, -UF332, -UF334, -UF336, -UF338, -UF340, -UF342, -UF344, -UF346, -UF348, -UF350, -UF352, -UF354, -UF356, -UF358, -UF360, -UF362, -UF364, -UF366, -UF368, -UF370, -UF372, -UF374, -UF376, -UF378, -UF380, -UF382, -UF384, -UF386, -UF388, -UF390, -UF392, -UF394, -UF396, -UF398, -UF400, -UF402, -UF404, -UF406, -UF408, -UF410, -UF412, -UF414, -UF416, -UF418, -UF420, -UF422, -UF424, -UF426, -UF428, -UF430, -UF432, -UF434, -UF436, -UF438, -UF440, -UF442, -UF444, -UF446, -UF448, -UF450, -UF452, -UF454, -UF456, -UF458, -UF460, -UF462, -UF464, -UF466, -UF468, -UF470, -UF472, -UF474, -UF476, -UF478, -UF480, -UF482, -UF484, -UF486, -UF488, -UF490, -UF492, -UF494, -UF496, -UF498, -UF500, -UF502, -UF504, -UF506, -UF508, -UF510, -UF512, -UF514, -UF516, -UF518, -UF520, -UF522, -UF524, -UF526, -UF528, -UF530, -UF532, -UF534, -UF536, -UF538, -UF540, -UF542, -UF544, -UF546, -UF548, -UF550, -UF552, -UF554, -UF556, -UF558, -UF560, -UF562, -UF564, -UF566, -UF568, -UF570, -UF572, -UF574, -UF576, -UF578, -UF580, -UF582, -UF584, -UF586, -UF588, -UF590, -UF592, -UF594, -UF596, -UF598, -UF600, -UF602, -UF604, -UF606, -UF608, -UF610, -UF612, -UF614, -UF616, -UF618, -UF620, -UF622, -UF624, -UF626, -UF628, -UF630, -UF632, -UF634, -UF636, -UF638, -UF640, -UF642, -UF644, -UF646, -UF648, -UF650, -UF652, -UF654, -UF656, -UF658, -UF660, -UF662, -UF664, -UF666, -UF668, -UF670, -UF672, -UF674, -UF676, -UF678, -UF680, -UF682, -UF684, -UF686, -UF688, -UF690, -UF692, -UF694, -UF696, -UF698, -UF700, -UF702, -UF704, -UF706, -UF708, -UF710, -UF712, -UF714, -UF716, -UF718, -UF720, -UF722, -UF724, -UF726, -UF728, -UF730, -UF732, -UF734, -UF736, -UF738, -UF740, -UF742, -UF744, -UF746, -UF748, -UF750, -UF752, -UF754, -UF756, -UF758, -UF760, -UF762, -UF764, -UF766, -UF768, -UF770, -UF772, -UF774, -UF776, -UF778, -UF780, -UF782, -UF784, -UF786, -UF788, -UF790, -UF792, -UF794, -UF796, -UF798, -UF800, -UF802, -UF804, -UF806, -UF808, -UF810, -UF812, -UF814, -UF816, -UF818, -UF820, -UF822, -UF824, -UF826, -UF828, -UF830, -UF832, -UF834, -UF836, -UF838, -UF840, -UF842, -UF844, -UF846, -UF848, -UF850, -UF852, -UF854, -UF856, -UF858, -UF860, -UF862, -UF864, -UF866, -UF868, -UF870, -UF872, -UF874, -UF876, -UF878, -UF880, -UF882, -UF884, -UF886, -UF888, -UF890, -UF892, -UF894, -UF896, -UF898, -UF900, -UF902, -UF904, -UF906, -UF908, -UF910, -UF912, -UF914, -UF916, -UF918, -UF920, -UF922, -UF924, -UF926, -UF928, -UF930, -UF932, -UF934, -UF936, -UF938, -UF940, -UF942, -UF944, -UF946, -UF948, -UF950, -UF952, -UF954, -UF956, -UF958, -UF960, -UF962, -UF964, -UF966, -UF968, -UF970, -UF972, -UF974, -UF976, -UF978, -UF980, -UF982, -UF984, -UF986, -UF988, -UF990, -UF992, -UF994, -UF996, -UF998, -UF1000	4.9								
JUH4H-UF4D0	SILENCER SIZE DØ			4				1"	1.25"
JUH4H-UF52								75"	1"
JUH4H-UF40, -UF48, -UF51, -UF53, -UF69, -UF11, -UF13, -UF19, -UF21, -UF23, -UF4E0, -UF4E7, -UF4E1	E ¹⁾	114.9	116.4	119.4	120.4	N/A	N/A		
JUH6H-UF30, -UF32, -UF34, -UF50, -UF52, -UF54, -UF58, -UF60, -UF62, -UF64, -UF66, -UF68, -UF70, -UF72, -UF74, -UF76, -UF78, -UF80, -UF82, -UF84, -UF86, -UF88, -UF90, -UF92, -UF94, -UF96, -UF98, -UF100, -UF102, -UF104, -UF106, -UF108, -UF110, -UF112, -UF114, -UF116, -UF118, -UF120, -UF122, -UF124, -UF126, -UF128, -UF130, -UF132, -UF134, -UF136, -UF138, -UF140, -UF142, -UF144, -UF146, -UF148, -UF150, -UF152, -UF154, -UF156, -UF158, -UF160, -UF162, -UF164, -UF166, -UF168, -UF170, -UF172, -UF174, -UF176, -UF178, -UF180, -UF182, -UF184, -UF186, -UF188, -UF190, -UF192, -UF194, -UF196, -UF198, -UF200, -UF202, -UF204, -UF206, -UF208, -UF210, -UF212, -UF214, -UF216, -UF218, -UF220, -UF222, -UF224, -UF226, -UF228, -UF230, -UF232, -UF234, -UF236, -UF238, -UF240, -UF242, -UF244, -UF246, -UF248, -UF250, -UF252, -UF254, -UF256, -UF258, -UF260, -UF262, -UF264, -UF266, -UF268, -UF270, -UF272, -UF274, -UF276, -UF278, -UF280, -UF282, -UF284, -UF286, -UF288, -UF290, -UF292, -UF294, -UF296, -UF298, -UF300, -UF302, -UF304, -UF306, -UF308, -UF310, -UF312, -UF314, -UF316, -UF318, -UF320, -UF322, -UF324, -UF326, -UF328, -UF330, -UF332, -UF334, -UF336, -UF338, -UF340, -UF342, -UF344, -UF346, -UF348, -UF350, -UF352, -UF354, -UF356, -UF358, -UF360, -UF362, -UF364, -UF366, -UF368, -UF370, -UF372, -UF374, -UF376, -UF378, -UF380, -UF382, -UF384, -UF386, -UF388, -UF390, -UF392, -UF394, -UF396, -UF398, -UF400, -UF402, -UF404, -UF406, -UF408, -UF410, -UF412, -UF414, -UF416, -UF418, -UF420, -UF422, -UF424, -UF426, -UF428, -UF430, -UF432, -UF434, -UF436, -UF438, -UF440, -UF442, -UF444, -UF446, -UF448, -UF450, -UF452, -UF454, -UF456, -UF458, -UF460, -UF462, -UF464, -UF466, -UF468, -UF470, -UF472, -UF474, -UF476, -UF478, -UF480, -UF482, -UF484, -UF486, -UF488, -UF490, -UF492, -UF494, -UF496, -UF498, -UF500, -UF502, -UF504, -UF506, -UF508, -UF510, -UF512, -UF514, -UF516, -UF518, -UF520, -UF522, -UF524, -UF526, -UF528, -UF530, -UF532, -UF534, -UF536, -UF538, -UF540, -UF542, -UF544, -UF546, -UF548, -UF550, -UF552, -UF554, -UF556, -UF558, -UF560, -UF562, -UF564, -UF566, -UF568, -UF570, -UF572, -UF574, -UF576, -UF578, -UF580, -UF582, -UF584, -UF586, -UF588, -UF590, -UF592, -UF594, -UF596, -UF598, -UF600, -UF602, -UF604, -UF606, -UF608, -UF610, -UF612, -UF614, -UF616, -UF618, -UF620, -UF622, -UF624, -UF626, -UF628, -UF630, -UF632, -UF634, -UF636, -UF638, -UF640, -UF642, -UF644, -UF646, -UF648, -UF650, -UF652, -UF654, -UF656, -UF658, -UF660, -UF662, -UF664, -UF666, -UF668, -UF670, -UF672, -UF674, -UF676, -UF678, -UF680, -UF682, -UF684, -UF686, -UF688, -UF690, -UF692, -UF694, -UF696, -UF698, -UF700, -UF702, -UF704, -UF706, -UF708, -UF710, -UF712, -UF714, -UF716, -UF718, -UF720, -UF722, -UF724, -UF726, -UF728, -UF730, -UF732, -UF734, -UF736, -UF738, -UF740, -UF742, -UF744, -UF746, -UF748, -UF750, -UF752, -UF754, -UF756, -UF758, -UF760, -UF762, -UF764, -UF766, -UF768, -UF770, -UF772, -UF774, -UF776, -UF778, -UF780, -UF782, -UF784, -UF786, -UF788, -UF790, -UF792, -UF794, -UF796, -UF798, -UF800, -UF802, -UF804, -UF806, -UF808, -UF810, -UF812, -UF814, -UF816, -UF818, -UF820, -UF822, -UF824, -UF826, -UF828, -UF830, -UF832, -UF834, -UF836, -UF838, -UF840, -UF842, -UF844, -UF846, -UF848, -UF850, -UF852, -UF854, -UF856, -UF858, -UF860, -UF862, -UF864, -UF866, -UF868, -UF870, -UF872, -UF874, -UF876, -UF878, -UF880, -UF882, -UF884, -UF886, -UF888, -UF890, -UF892, -UF894, -UF896, -UF898, -UF900, -UF902, -UF904, -UF906, -UF908, -UF910, -UF912, -UF914, -UF916, -UF918, -UF920, -UF922, -UF924, -UF926, -UF928, -UF930, -UF932, -UF934, -UF936, -UF938, -UF940, -UF942, -UF944, -UF946, -UF948, -UF950, -UF952, -UF954, -UF956, -UF958, -UF960, -UF962, -UF964, -UF966, -UF968, -UF970, -UF972, -UF974, -UF976, -UF978, -UF980, -UF982, -UF984, -UF986, -UF988, -UF990, -UF992, -UF994, -UF996, -UF998, -UF1000	87.2	90.2	99.2	103.2					
JUH6H-UF40, -UF48, -UF51, -UF53, -UF69, -UF11, -UF13, -UF19, -UF21, -UF23, -UF4E0, -UF4E7, -UF4E1	E ¹⁾	118	119	120.2	121.2	N/A	N/A		



DETAIL A
SCALE 0.08 : 1
SLOT DETAIL 10X
REFERENCE ONLY

THIS DRAWING AND THE INFORMATION HEREON ARE OUR PROPERTY AND MAY BE USED BY OTHERS ONLY AS AUTHORIZED BY US IN WRITING. ALL RIGHTS ARE RESERVED UNDER THE COPYRIGHT LAWS.

YOU HAVE NOTED DIMENSIONS WILL BE THE DIMENSIONS UNLESS WE STATE OTHERWISE.

ALL DIMENSIONS CAN VARY ± 0.03 (0.75)

CLARKE

CONTROLLED DRAWING

DESIGN	AHGGINS	DATE	12/21/2017
ENGINEER	AHGGINS	PROJECT NO.	
MATERIAL		SCALE	NTS
ASSEMBLY		UNIT	MM (INCH)
ORIGINAL PART		SIZE	1

SUBMITTAL, JU4H/R JU6H/R SOUND ATTENUATED MODULAR ENCLOSURE WITH CRITICAL GRADE SILENCER

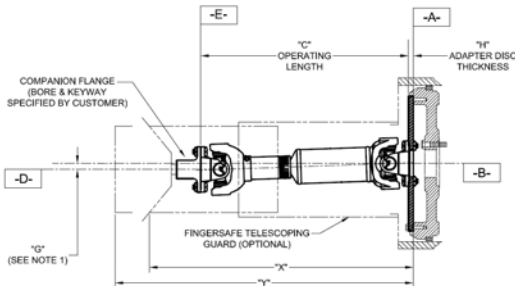
C137344

DRAWING SUBJECT TO CHANGE WITHOUT NOTICE DO NOT SCALE

PAGE 1 OF 1

DATUMS

- A- MOUNTING FACE OF FLYWHEEL
- B- ENGINE CRANKSHAFT CENTERLINE
- D- PUMP OR RIGHT ANGLE GEAR SHAFT HORIZONTAL CENTERLINE
- E- END OF PUMP OR RIGHT ANGLE GEAR SHAFT



REV	DESCRIPTION	ECN#	DWN	APVD	DATE
A	PRELIMINARY ENGINEERING DRAWING	5076	ACH	ACH	05MAR18
B	REMOVED OBSOLETE MODELS AND ADDED NEW HIGH SPEED JU6H MODELS	5076	ACH	ACH	28SEP18
C	DRIVESHAFT MODEL NUMBER CHANGE	5076	CRD	JCA	29NOV18
D	ADDED CAT18 MODELS AND UPDATED OFFSET AND TOLERANCES FOR VA2365 DRIVESHAFTS	5076	ACH	ACH	10APR19
E	CORRECTED DRIVESHAFT SELECTIONS FOR DS0H-UFAA98, DT2H-UFAA20,50,58, AND DT2R-UFAA19,49	5076	ACH	ACH	03OCT19

Clarke Engines, UL/FM approved Heat Exchanger and Radiator Cooled Models	UL Listed Driveshaft Model	Non-Listed Driveshaft Model	Drive Disc	Companion Flange	Driveshaft Model Without Torsional Coupling (See Note 3)	"G" Vertical Parallel Offsets of Shafts	Torsional Coupling Model	Driveshaft Model With Torsional Coupling (See Note 3)	"G" Vertical Parallel Offsets of Shafts
JU4H-UFAEA0, UF10, 12, 04, 14, 20, 22, UF24	CDS10		C08448	CF10	CDS10-31	24.6 ±12.2 [0.97] ±[0.48]	TC15-11.5-41-FS	CDS10-29	22.8 ±11.4 [0.90] ±[0.45]
JU4R-UF09, 11, 13, 19, 21, 23, AEA9	CDS10		C08448	CF10	CDS10-31	24.6 ±12.2 [0.97] ±[0.48]	TC15-11.5-41-FS	CDS10-29	22.8 ±11.4 [0.90] ±[0.45]
JU4H-UF34, H0, AEE8, AEF2, ADJ8, ADJ2, H2, 40, 42 (Note 2)	CDS20		C08448	CF20	CDS20-31	24.0 ±12.0 [0.95] ±[0.47]	TC15-11.5-55-FS	CDS20-28	21.6 ±10.8 [0.85] ±[0.43]
JU4H-UF34, H0, AEE8, AEF2, ADJ8, ADJ2, H2, 40, 42 (Note 2)	CDS20		C08448	CF20	CDS20-31	24.0 ±12.0 [0.95] ±[0.47]	TC25-11.5-55-FS	CDS20-28	21.3 ±10.6 [0.84] ±[0.42]
JU4R-UF40, UFAEE7, AEF1	CDS20		C08448	CF20	CDS20-31	24.0 ±12.0 [0.95] ±[0.47]	TC15-11.5-55-FS	CDS20-28	21.3 ±10.6 [0.84] ±[0.42]
JU4H-UF58, AD58, UF50, UF52, UF54, ADJG, ADP0, ADRO, ADW8, ADY8	CDS30		C083762	CF30	CDS30-31	22.7 ±11.3 [0.89] ±[0.45]	TC25-11.5-61-FS	CDS30-28	20.0 ±10.0 [0.79] ±[0.39]
JU4R-UF49, 51, 53	CDS30		C083762	CF30	CDS30-31	22.7 ±11.3 [0.89] ±[0.45]	TC25-11.5-61-FS	CDS30-28	20.0 ±10.0 [0.79] ±[0.39]
JU4H-UFAD98	CDS50		C083763	CF50	CDS50-31	21.6 ±10.8 [0.85] ±[0.42]	TC35-11.5-81-FS	CDS50-28	18.9 ±9.4 [0.74] ±[0.37]
JU6H-UFD0, D2, 30, 32, 34	CDS20		C08448	CF20	CDS20-31	24.0 ±12.0 [0.95] ±[0.47]	TC25-11.5-55-FS	CDS20-28	21.3 ±10.6 [0.84] ±[0.42]
JU6H-UFM8, M0, M2, 58, ADMG, 50, 52, 54, ADK0, ADNG, ADN0, ADQ0, ADRO, 60, 62, 84	CDS30		C083762	CF30	CDS30-31	22.7 ±11.3 [0.89] ±[0.45]	TC35-11.5-61-FS	CDS30-28	20.0 ±10.0 [0.79] ±[0.39]
JU6H-UF94		VA61A	C083762	CF30	VA61A-31	22.7 ±11.3 [0.89] ±[0.45]	TC35-11.5-61-FS	VA61A-28	20.0 ±10.0 [0.79] ±[0.39]
JU6H-UFAAPG, Q8, AARG, ADP8, AD88, ADR8, ADS8, AAS0, ADW8, AD98, ADX8	CDS50		C083763	CF50	CDS50-31	21.6 ±10.8 [0.85] ±[0.42]	TC35-11.5-81-FS	CDS50-28	18.9 ±9.4 [0.74] ±[0.37]
JU6H-UFADW8, AD98, ADX8, AAT8	CDS50		C083763	CF50	CDS50-31	21.6 ±10.8 [0.85] ±[0.42]	TC45-11.5-81-FS	CDS50-28	18.9 ±9.4 [0.74] ±[0.37]
JU6H-UFADP0, ADT0, AAT0, AAT2	CDS50	VA81A ³	C083763	CF50	CDS50-31 VA81A-31	21.6 ±10.8 [0.85] ±[0.42]	TC35-11.5-81-FS	CDS50-28 VA81A-28	18.9 ±9.4 [0.74] ±[0.37]
JU6R-UFAAD9, D1, 29, 31, 33	CDS20		C08448	CF20	CDS20-31	24.0 ±12.0 [0.95] ±[0.47]	TC25-11.5-55-FS	CDS20-28	21.3 ±10.6 [0.84] ±[0.42]
JU6R-UFAAM7, M9, M1, 57, 49, 51, 53, 59, 61, 83	CDS30		C083762	CF30	CDS30-31	22.7 ±11.3 [0.89] ±[0.45]	TC35-11.5-61-FS	CDS30-28	20.0 ±10.0 [0.79] ±[0.39]
JU6R-UFAAPF, Q7, RF, S9	CDS50		C083763	CF50	CDS50-31	21.6 ±10.8 [0.85] ±[0.42]	TC35-11.5-81-FS	CDS50-28	18.9 ±9.4 [0.74] ±[0.37]
JW 6H-UFADD0, ADF0	CDS50		C083763	CF50	CDS50-31	21.6 ±10.8 [0.85] ±[0.42]	TC45-11.5-81-FS	CDS50-28	18.9 ±9.4 [0.74] ±[0.37]
JW 6H-UFADJ0	CDS50		C083763	CF50	CDS50-31	21.6 ±10.8 [0.85] ±[0.42]	TC50-11.5-81-FS	CDS50-25	16.2 ±8.1 [0.64] ±[0.32]
JW 6H-UFAD70	CDS50		C083763	CF50	CDS50-31	21.6 ±10.8 [0.85] ±[0.42]	TC50-11.5-81-FS	CDS50-25	16.2 ±8.1 [0.64] ±[0.32]
JW 6H-UFAD80, AA80	CDS50 ^{1,2}	VA81A ^{1,3}	C083763	CF50	CDS50-31 VA81A-31	21.6 ±10.8 [0.85] ±[0.42]	TC50-11.5-81-FS	CDS50-25 VA81A-25	16.2 ±8.1 [0.64] ±[0.32]
JW 6H-UFAA60 3		VA81A ³	C083763	CF50	VA81A-31	21.7 ±10.9 [0.85] ±[0.42]	TC50-11.5-81-FS	VA81A-25	16.2 ±8.1 [0.64] ±[0.32]

NOTES:

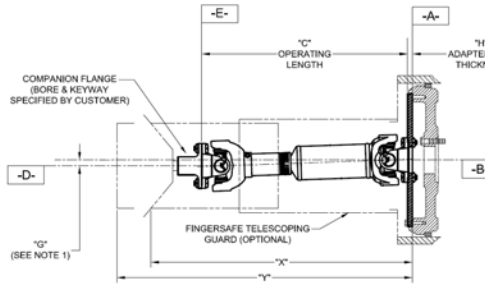
- CAUTION: THE DRIVESHAFT IS DESIGNED TO OPERATE AT A 2° ANGLE WITH THE INPUT AND THE OUTPUT SHAFTS IN PARALLEL OFFSET OF "G" INCH VERTICALLY ABOVE OR BELOW THE ENGINE CRANKSHAFT CENTERLINE (DATUM B). THE OFFSET SHOULD BE 0.00" PARALLEL OFFSET HORIZONTALLY RIGHT OR LEFT OF DATUM B. REFER TO THE CERTIFIED DRIVESHAFT INSTALLATION MANUAL FOR ALIGNMENT INSTRUCTIONS.
- BASED ON THE TORSIONAL VIBRATION ANALYSIS (TVA) THE SIZE OF THE TORSIONAL COUPLING COULD CHANGE TO A SMALLER **TC15-11.5-55-FS**. **NOTE: THIS WILL AFFECT THE FINAL INSTALLATION (DIMENSIONS "C" SHOWN IN THE DIAGRAM AT THE TOP OF THE PAGE). THE PUMP INSTALLER MUST BE MADE AWARE OF THIS CHANGE.**
- LENGTHS SHOWN USE THE VALUE FOR THE LISTED DRIVESHAFT WHERE AVAILABLE.

- 1760 RPM ONLY
- 2100 RPM ONLY
- 2350 RPM ONLY
- 1470 RPM ONLY
- 1800 RPM ONLY
- 2650 RPM ONLY
- 1900 RPM ONLY

THIS DRAWING AND THE INFORMATION HEREON ARE OUR PROPERTY AND MAY BE USED BY OTHERS ONLY AS AUTHORIZED IN WRITING UNDER THE CONTROLLED DRAWING SYSTEM.			
DRAWN: JLS X.X: 413 4105 X.XX: 413 4105 P.XXX: 413 4105	CHECKED: JLS X.X: 413 4105 X.XX: 413 4105 P.XXX: 413 4105	DATE: 2/22/2018 DESIG: AHIGGINS DESIG: AHIGGINS	NAME: ENCLOSED UNIT TORSIONAL COUPLING AND/OR DRIVESHAFT SELECTION MATRIX PART NO: D769 SCALE: NTS UNIT: MM (INCH)
MATERIAL: ENCLOSED REDESIGN ANGLE: 4:12		SHEET: 1 OF 2	

DATUMS

- A- MOUNTING FACE OF FLYWHEEL
- B- ENGINE CRANKSHAFT CENTERLINE
- D- PUMP OR RIGHT ANGLE GEAR SHAFT HORIZONTAL CENTERLINE
- E- END OF PUMP OR RIGHT ANGLE GEAR SHAFT



Clarke Engines, UL/FM approved Heat Exchanger and Radiator Cooled Models	UL Listed Driveshaft Model	Non-Listed Driveshaft Model	Drive Disc	Companion Flange	Driveshaft Model Without Torsional Coupling (See Note 3)	"G" Vertical Parallel Offsets of Shafts	Torsional Coupling Model	Driveshaft Model With Torsional Coupling (See Note 3)	"G" Vertical Parallel Offsets of Shafts
DQ6H-UFAA 50	CDS50		C084947	CF50	CDS50-31	21.6 ±0.8 [0.85] ±(0.43)	TC45-14-81-FS	CDS50-28	18.9 ±9.4 [0.74] ±(0.37)
DQ6H-UFAA 60, 88, 98	CDS50		C084947	CF50	CDS50-31	21.6 ±0.8 [0.85] ±(0.42)	TC50-14-81-FS	CDS50-27	18.0 ±9.0 [0.71] ±(0.35)
JX6H-UFAF 0, AD60, ADK0, ADN0, ADPO, AD88		VA2365	C084930	180-10	VA2365-31	19.6±9.8 [0.77] ±(0.39)	TC55-14-180.10-FS	VA2365-27	15.8 ±7.9 [0.62] 2±(0.31)
DR8H-UFAA 40, AA5G, AA68, AA62		VA2365	C084930	180-10	VA2365-31	19.6±9.8 [0.77] ±(0.39)	TC55-14-180.10-FS	VA2365-27	15.8 ±7.9 [0.62] 2±(0.31)
DS0H-UFAA M 0, AA N 0, AA 68, AA 60, AA 92		VA2365	C084930	180-10	VA2365-31	19.6±9.8 [0.77] ±(0.39)	TC55-14-180.10-FS	VA2365-27	15.8 ±7.9 [0.62] 2±(0.31)
DS0R-UFAA 67, AA 59		VA2365	C084930	180-10	VA2365-31	19.6±9.8 [0.77] ±(0.39)	TC55-14-180.10-FS	VA2365-27	15.8 ±7.9 [0.62] 2±(0.31)
DS0H-UFAA 98		VA2365	C084930	180-10	VA2365-31	19.6±9.8 [0.77] ±(0.39)	TC55-14-180.10-FS	VA2365-27	15.8 ±7.9 [0.62] 2±(0.31)
DT2H-UFAA 20, 58, 50		VA2365	C084930	180-10	VA2365-31	19.6±9.8 [0.77] ±(0.39)	TC60-14-180.10-FS	VA2365-27	15.6 ±7.8 [0.62] 2±(0.31)
DT2R-UFAA 19, 49		VA2365	C084930	180-10	VA2365-31	19.6±9.8 [0.77] ±(0.39)	TC60-14-180.10-FS	VA2365-27	15.6 ±7.8 [0.62] 2±(0.31)
DT2H-UFAA 60, 92, 98		VA2390	C084930	180-10	VA2390-35	23.4 ±11.7 [0.92] ±(0.46)	TC60-14-180.10-FS	VA2390-31	19.5 ±9.8 [0.77] ±(0.38)
DT2H-UFAA 88		VA2390	C084930	180-10	VA2390-31	19.8 ±9.9 [0.78] ±(0.39)	TC60-14-180.10-FS	VA2390-27	15.6 ±7.8 [0.62] 2±(0.31)
CAT 18H0-UFA D 176-0460, UFA D 190-0488, UFA D 210-0488, UFA D 176-0510, UFA D 190-0525, UFA D 210-0525, UFA D 176-0542, UFA D 190-0575, UFA D 210-0575, UFA D 176-0600, UFA D 190-0600, UFA D 210-0600, UFA D 210-0650, UFA D 176-0687, UFA D 210-0700		VA2365	C084930	180-10	VA2365-33	21.3 ±10.7 [0.84] ±(0.42)	TC55-14-180.10-FS	VA2365-29	17.6±8.8 [0.69] ±(0.35)
C 18H0-UFA D 18, 10, 28, 20, 38, 30, 48, 40, 50 ² , 68, 70 ²									
CAT 18H0-UFA D 176-0650, UFA D 190-0650, UFA A 147-0700, UFA D 176-0700, UFA D 190-0700, UFA C 176-0755, UFA C 190-0755, UFA C 210-0755, UFA C 176-0800, UFA C 190-0800, UFA C 210-0800		VA2390	C084930	180-10	VA2390-33	21.7 ±10.8 [0.85] ±(0.42)	TC55-14-180.10-FS	VA2390-29	17.9±9.0 [0.71] ±(0.35)
C 18H0-UFA D 58, 50 ² , 78, 70 ² , C 18H0-UFA A 78, C 18H0-UFA C 18, 10, 28, 20									

NOTES:

- CAUTION: THE DRIVESHAFT IS DESIGNED TO OPERATE AT A 2° ANGLE WITH THE INPUT AND THE OUTPUT SHAFTS IN PARALLEL OFFSET OF "G" INCH VERTICALLY ABOVE OR BELOW THE ENGINE CRANKSHAFT CENTERLINE (DATUM B). THE OFFSET SHOULD BE 0.00" PARALLEL OFFSET HORIZONTALLY RIGHT OR LEFT OF DATUM B. REFER TO THE CERTIFIED DRIVESHAFT INSTALLATION MANUAL FOR ALIGNMENT INSTRUCTIONS.
- BASED ON THE TORSIONAL VIBRATION ANALYSIS (TVA) THE SIZE OF THE TORSIONAL COUPLING COULD CHANGE TO A SMALLER **TC15-11.5-55-FS**. **NOTE: THIS WILL AFFECT THE FINAL INSTALLATION (DIMENSIONS "G" SHOWN IN THE DIAGRAM AT THE TOP OF THE PAGE). THE PUMP INSTALLER MUST BE MADE AWARE OF THIS CHANGE.**
- LENGTHS SHOWN USE THE VALUE FOR THE LISTED DRIVESHAFT WHERE AVAILABLE.

- 1760 RPM ONLY
- 2100 RPM ONLY
- 2350 RPM ONLY
- 1470 RPM ONLY
- 1800 RPM ONLY
- 2650 RPM ONLY
- 1900 RPM ONLY

<small>THIS DRAWING AND THE INFORMATION HEREON ARE OUR PROPERTY AND MAY BE USED BY OTHERS ONLY AS AUTHORIZED HEREUNDER UNDER THE PROVISIONS OF THE PATENT RIGHTS ACT.</small>					
REVISIONS 1. 2/22/2018 2. 2/22/2018 3. 2/22/2018 4. 2/22/2018 5. 2/22/2018 6. 2/22/2018 7. 2/22/2018		DATE 2/22/2018		SCALE N/A	
DESIGNER AHIGGINS		DATE 2/22/2018		SCALE N/A	
REVISIONS 1. 2/22/2018 2. 2/22/2018 3. 2/22/2018 4. 2/22/2018 5. 2/22/2018 6. 2/22/2018 7. 2/22/2018		DATE 2/22/2018		SCALE N/A	
DESIGNER AHIGGINS		DATE 2/22/2018		SCALE N/A	
REVISIONS 1. 2/22/2018 2. 2/22/2018 3. 2/22/2018 4. 2/22/2018 5. 2/22/2018 6. 2/22/2018 7. 2/22/2018		DATE 2/22/2018		SCALE N/A	
DESIGNER AHIGGINS		DATE 2/22/2018		SCALE N/A	
REVISIONS 1. 2/22/2018 2. 2/22/2018 3. 2/22/2018 4. 2/22/2018 5. 2/22/2018 6. 2/22/2018 7. 2/22/2018		DATE 2/22/2018		SCALE N/A	
DESIGNER AHIGGINS		DATE 2/22/2018		SCALE N/A	

ENCLOSED UNIT TORSIONAL COUPLING AND/OR DRIVESHAFT SELECTION MATRIX

UNIT NO. **D769**