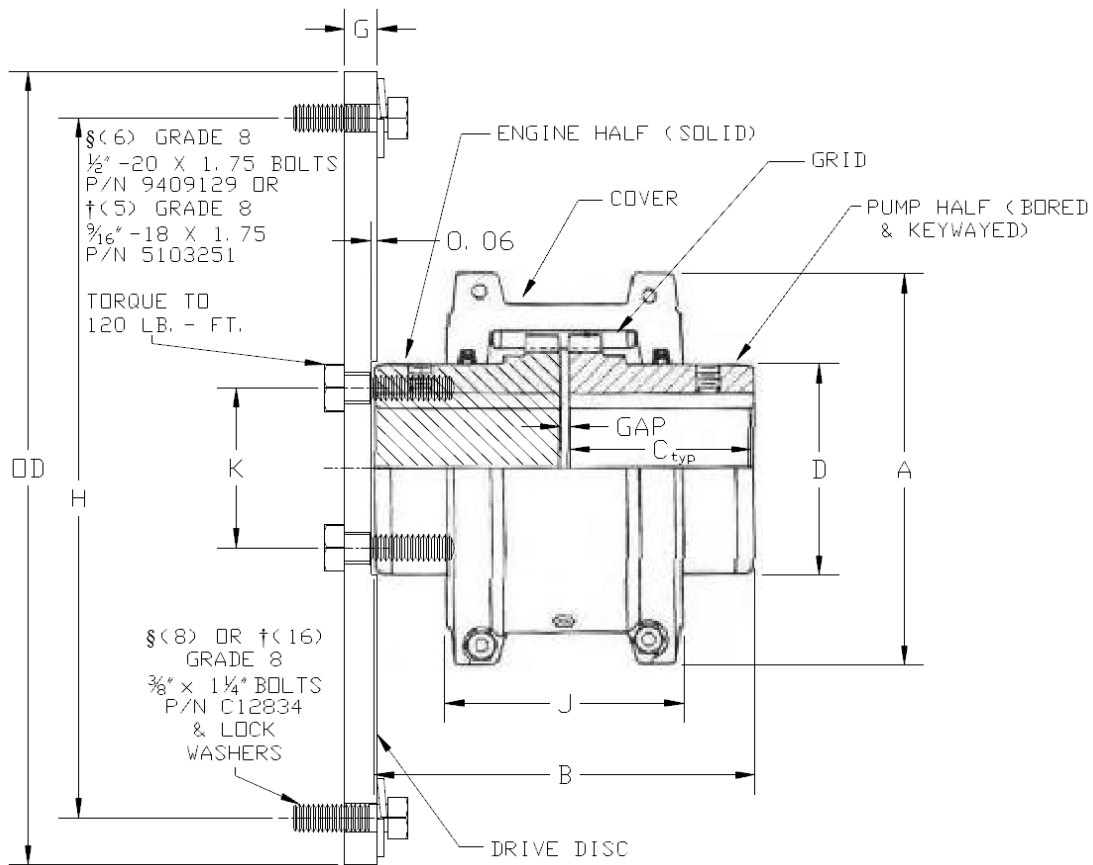
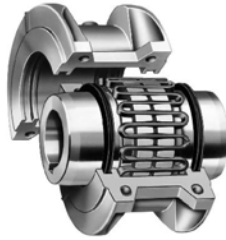


Falk "Steelflex" 1080 T10 Coupling with SAE 11.5" Flywheel Coupling Assembly



Dimensional Data

	A	B	C	D	G	H	J	K	OD	GAP	Coupling Weight (lbs)	Drive Disc Weight (lbs)	Total Weight (lbs)
§	7.50	6.63	3.50	4.12	0.435	13.125	4.55	2.600	13.875	0.125	39	18.5	57.5
†	7.50	7.12	3.50	4.12	0.560	13.125	4.55	3.180	13.875	0.125	39	23	62

Notes:

- 1) Unless otherwise specified, all dimensions are in inches.
- 2) For WR² & torsional spring rate see 2 of 2.
- 3) Choosing the proper size coupling is based off of a service factor of 1.0 in Table 1 and corresponding engine service factors in Table 2 per Falk catalog 421-110, page 7.
- 4) § Refers to coupling using drive disc P/N C08106. † Refers to coupling using drive disc P/N C084927.

**Falk “Steelflex” 1080 T10 Coupling with
SAE 11.5” Flywheel Coupling Assembly**

Torsional Data

WR² value (engine drive disc not included) = 154 lb-in.²

(WR² values are based on hubs with no bore; seals, lube, and gaskets are not considered)

