

REV	DESCRIPTION	ECN#	DWN	APVD	DATE
A	ISSUED ENGINEERING DRAWING	2992	MJD	MJD	11NOV13
B	RE-ROUTED WIRES 711D & 754B	---	MJD	MJD	27MAR14

LEGEND

- | | |
|----------------------------------------|--------------------------------------------|
| AB - ALTERNATOR BRIDGE | LOPVS - LOW OIL PRESSURE VERIFY SWITCH |
| AL - ALTERNATOR | MDS - MODE SELECTOR SWITCH |
| AM - AUTOMATIC MODE POSITION | MM - MANUAL MODE POSITION |
| B1 - BATTERY #1 | MML - MANUAL MODE INDICATING LAMP |
| B2 - BATTERY #2 | MP - MAGNETIC PICK-UP |
| BB1 - BATTERY BRIDGE #1 | MSS - MANUAL STOP SWITCH |
| BB2 - BATTERY BRIDGE #2 | OCB - OVER-CURRENT BREAKER |
| BES - BUMP ENABLE SWITCH | DVRS - OVERSPEED VERIFY @ 67% RESET SWITCH |
| BSS - SPEED BUMP SWITCH | SC1 - STARTER CONTACTOR BATT#1 |
| B1 - BATTERY ISOLATOR | SC2 - STARTER CONTACTOR BATT#2 |
| CS1 - CRANK (MANUAL) SWITCH - BATT #1 | SCB - SOLENOID CONTROL BOARD |
| CS2 - CRANK (MANUAL) SWITCH - BATT #2 | SCBB - SOLENOID CONTROL BOARD DIODE |
| CB - COOLANT BRIDGE | ST - STARTER |
| CDD - CRANK DISCONNECT DIODE | TCS - TEMPERATURE CONTROL SOLENOID |
| DIA - DIAGNOSTIC GAUGE | THR - SCB THERMISTOR (COMPRESSOR INLET) |
| DIGB - DIAGNOSTIC GAUGE DIODE BRIDGE | TVS - TEMPERATURE ALARM VERIFY SWITCH |
| DIGS - DIAGNOSTIC GAUGE DISPLAY SWITCH | VBS - BATTERY VOLTAGE SELECTOR |
| DIGS - ALTERNATE ECU INDICATING LAMP | VMG - VOLTMETER GAUGE |
| ERSDB - ENGINE RUN SIGNAL DIODE BRIDGE | WS - WATER SOLENOID VALVE |
| ESS - ECU SELECTOR SWITCH | WT - WATER TEMPERATURE N.O. SW 205°F |

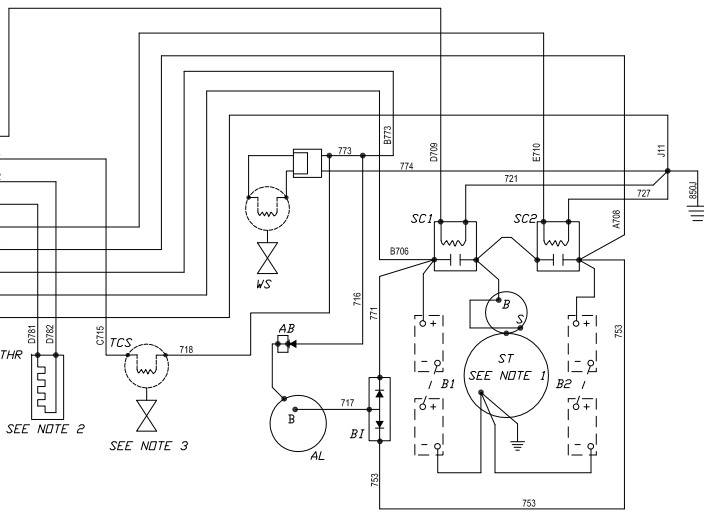
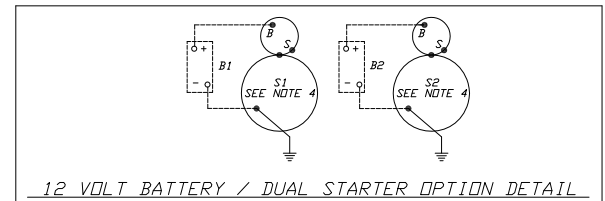
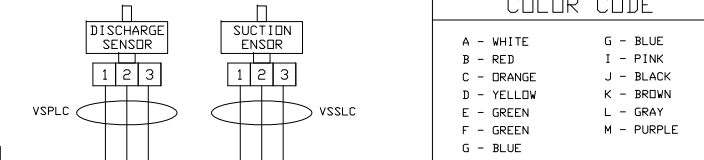
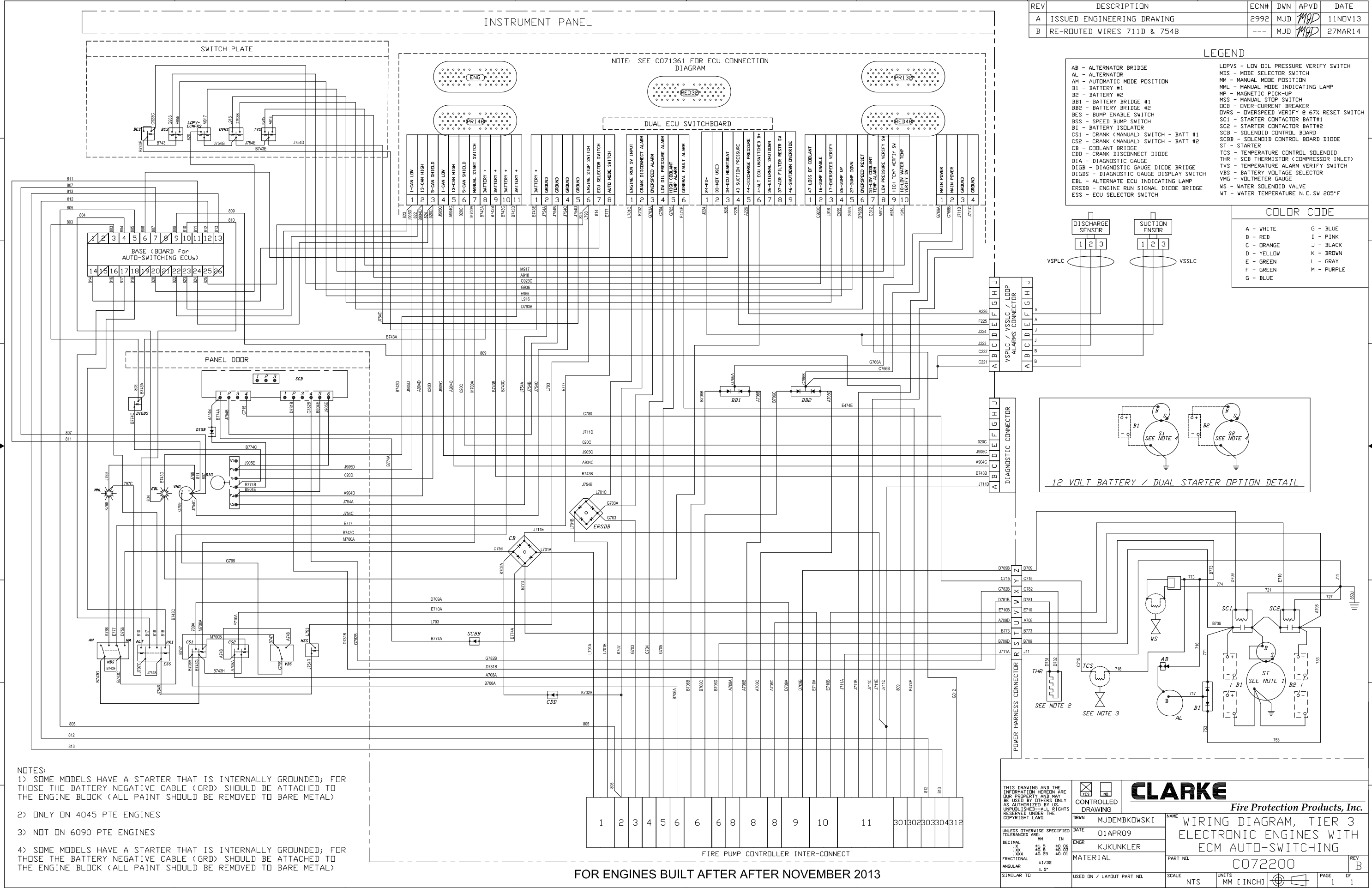
COLOR CODE

- | | |
|------------|------------|
| A - WHITE | G - BLUE |
| B - RED | I - PINK |
| C - ORANGE | J - BLACK |
| D - YELLOW | K - BROWN |
| E - GREEN | L - GRAY |
| F - GREEN | M - PURPLE |
| G - BLUE | |

INSTRUMENT PANEL

NOTE: SEE C071361 FOR ECU CONNECTION DIAGRAM

DUAL ECU SWITCHBOARD

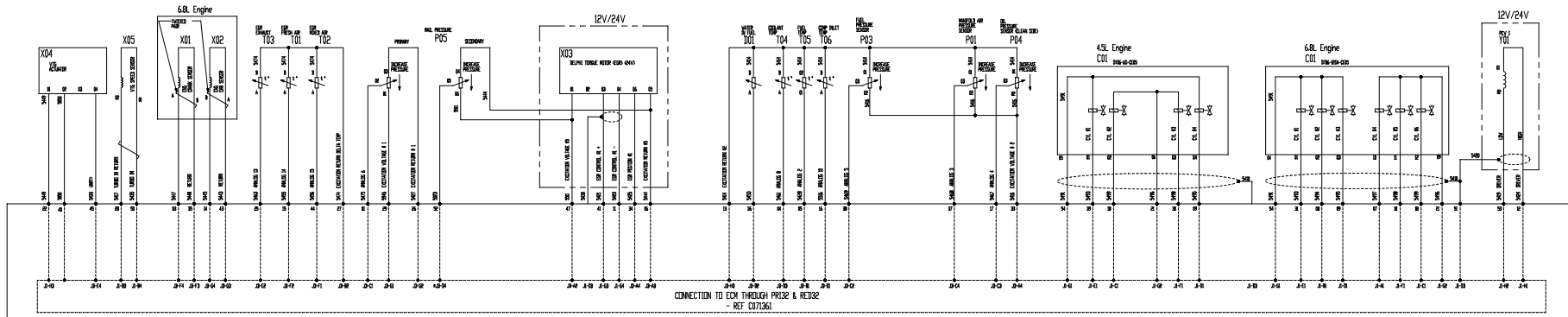


- NOTES:
- 1) SOME MODELS HAVE A STARTER THAT IS INTERNALLY GROUNDED; FOR THOSE THE BATTERY NEGATIVE CABLE (GRD) SHOULD BE ATTACHED TO THE ENGINE BLOCK (ALL PAINT SHOULD BE REMOVED TO BARE METAL)
 - 2) ONLY ON 4045 PTE ENGINES
 - 3) NOT ON 6090 PTE ENGINES
 - 4) SOME MODELS HAVE A STARTER THAT IS INTERNALLY GROUNDED; FOR THOSE THE BATTERY NEGATIVE CABLE (GRD) SHOULD BE ATTACHED TO THE ENGINE BLOCK (ALL PAINT SHOULD BE REMOVED TO BARE METAL)

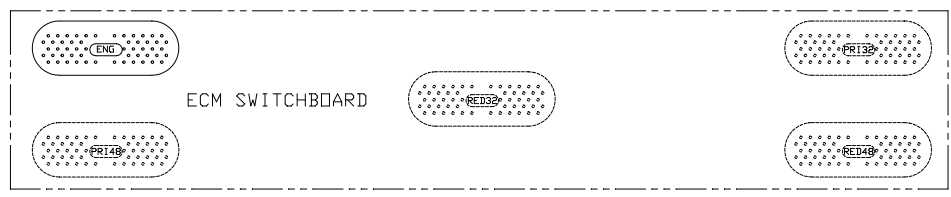
FOR ENGINES BUILT AFTER AFTER NOVEMBER 2013

<p>THIS DRAWING AND THE INFORMATION HEREON ARE OUR PROPERTY AND MAY BE USED BY OTHERS ONLY AS AUTHORIZED BY US. UNPUBLISHED RIGHTS RESERVED UNDER THE COPYRIGHT LAWS.</p>		<p>CONTROLLED DRAWING</p>	
<p>UNLESS OTHERWISE SPECIFIED TOLERANCES ARE:</p>		<p>CLARKE Fire Protection Products, Inc.</p>	
<p>DECIMAL: .125, .25, .5, 1, 2, 3, 4, 5, 6, 8, 10, 12, 15, 20, 25, 30, 40, 50, 60, 70, 80, 100</p>	<p>DATE: 01APR09</p>	<p>DRWN: M.JEMBKOWSKI</p>	<p>NAME: WIRING DIAGRAM, TIER 3 ELECTRONIC ENGINES WITH ECM AUTO-SWITCHING</p>
<p>FRACTIONAL: 1/32, 1/16, 1/8, 1/4, 1/2, 3/4, 1, 2, 3, 4, 5, 6, 8, 10, 12, 15, 20, 25, 30, 40, 50, 60, 70, 80, 100</p>	<p>ENGR: KJKUNKLER</p>	<p>MATERIAL:</p>	<p>PART NO.: C072200</p>
<p>ANGULAR: ±.5°</p>	<p>SCALE: NTS</p>	<p>UNITS: MM [INCH]</p>	<p>PAGE: 1 OF 1</p>

REV	DESCRIPTION	ECN#	DWN	APVD	DATE
A	ISSUED DRAWING	572	KJK		02NDIV08
B	(*) PIN-DUT WAS J3-E1 (ZDNE E-6)	1612	MJD	<i>[Signature]</i>	19MAR09



ENG - SWITCHBOARD CONNECTION - 6068PTP



REFERENCE DEERE WIRING DIAGRAM

THIS DRAWING AND THE INFORMATION HEREON ARE THE PROPERTY AND MAY BE USED AS AUTHORIZED BY DEERE & COMPANY UNPUBLISHED - ALL RIGHTS RESERVED UNDER THE COPYRIGHT LAWS		DISTRIBUTION: ERIC SCHMIDKE, 2007-11-27, JDS-G118		SCALE: METRIC DRAWING SCALE	
MODEL REV	MODEL REV	MATERIAL	DRAWING	DRAWING	DATE
Changing	A.5		DRAWING	DRAWING	02/09
DRW REV	DRW REV				
Changing	A.5				
SOURCING	OPEN	X			
	CLOSED				

VERSION	PART NUMBER	REVISION
RG	RE537589	A

THIS DRAWING AND THE INFORMATION HEREON ARE THE PROPERTY AND MAY BE USED AS AUTHORIZED BY DEERE & COMPANY UNPUBLISHED - ALL RIGHTS RESERVED UNDER THE COPYRIGHT LAWS		<input checked="" type="checkbox"/> CONTROLLED DRAWING		CLARKE Fire Protection Products, Inc.	
DATE	NAME	SCALE	UNITS	PAGE	REV
DDMMYY	ENGINEER	1:1	MM [INCH]	1	B
UNLESS OTHERWISE SPECIFIED TO DIMENSIONS AND TOLERANCES:	USED IN / LAYOUT PART NO.	SCALE	UNITS	PAGE	REV
DECIMAL .001 IN		NTS	MM [INCH]	1	1
FRACTIONAL 1/32 IN					
ANGULAR ±1/2°					
SIMILAR TO					

H
G
F
E
D
C
B
A

H
G
F
E
D
C
B
A

8 7 6 5 4 3 2 1

8 7 6 5 4 3 2 1