

REV	DESCRIPTION	ECN#	DWN	APVD	DATE
A	ISSUED ENGINEERING DRAWING	2992	MJD	MJD	11NOV13
B	RE-ROUTED WIRES 711D & 754B	---	MJD	MJD	27MAR14

LEGEND

AB - ALTERNATOR BRIDGE	LOPVS - LOW OIL PRESSURE VERIFY SWITCH
AL - ALTERNATOR	MDS - MODE SELECTOR SWITCH
AM - AUTOMATIC MODE POSITION	MM - MANUAL MODE POSITION
B1 - BATTERY #1	MML - MANUAL MODE INDICATING LAMP
B2 - BATTERY #2	MP - MAGNETIC PICK-UP
BB1 - BATTERY BRIDGE #1	MSS - MANUAL STOP SWITCH
BB2 - BATTERY BRIDGE #2	OCB - OVER-CURRENT BREAKER
BES - BUMP ENABLE SWITCH	DVRS - OVERSPEED VERIFY @ 67% RESET SWITCH
BSS - SPEED BUMP SWITCH	SC1 - STARTER CONTACTOR BATT#1
B1 - BATTERY ISOLATOR	SC2 - STARTER CONTACTOR BATT#2
CS1 - CRANK (MANUAL) SWITCH - BATT #1	SCB - SOLENOID CONTROL BOARD
CS2 - CRANK (MANUAL) SWITCH - BATT #2	SCBB - SOLENOID CONTROL BOARD DIODE
CB - COOLANT BRIDGE	ST - STARTER
CDD - CRANK DISCONNECT DIODE	TCS - TEMPERATURE CONTROL SOLENOID
DIA - DIAGNOSTIC GAUGE	THR - SCB THERMISTOR (COMPRESSOR INLET)
DIGB - DIAGNOSTIC GAUGE DIODE BRIDGE	TVS - TEMPERATURE ALARM VERIFY SWITCH
DIGS - DIAGNOSTIC GAUGE DISPLAY SWITCH	VBS - BATTERY VOLTAGE SELECTOR
DIGS - ALTERNATE ECU INDICATING LAMP	VMG - VOLTMETER GAUGE
ERSDB - ENGINE RUN SIGNAL DIODE BRIDGE	WS - WATER SOLENOID VALVE
ESS - ECU SELECTOR SWITCH	WT - WATER TEMPERATURE N.O. SW 205°F

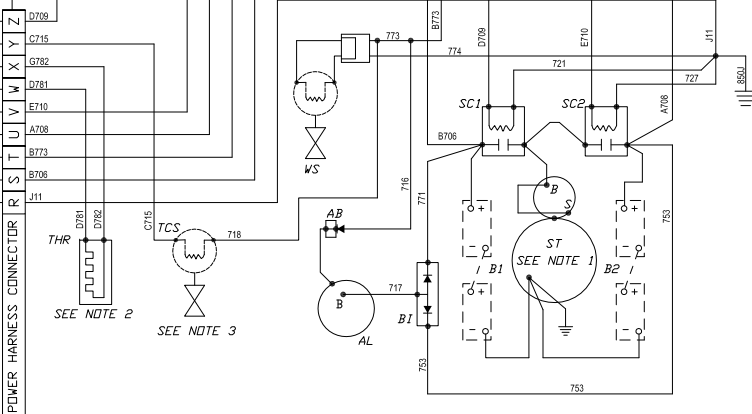
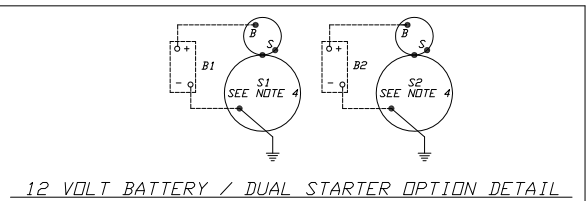
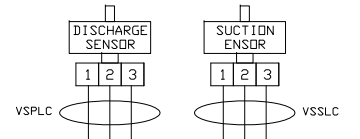
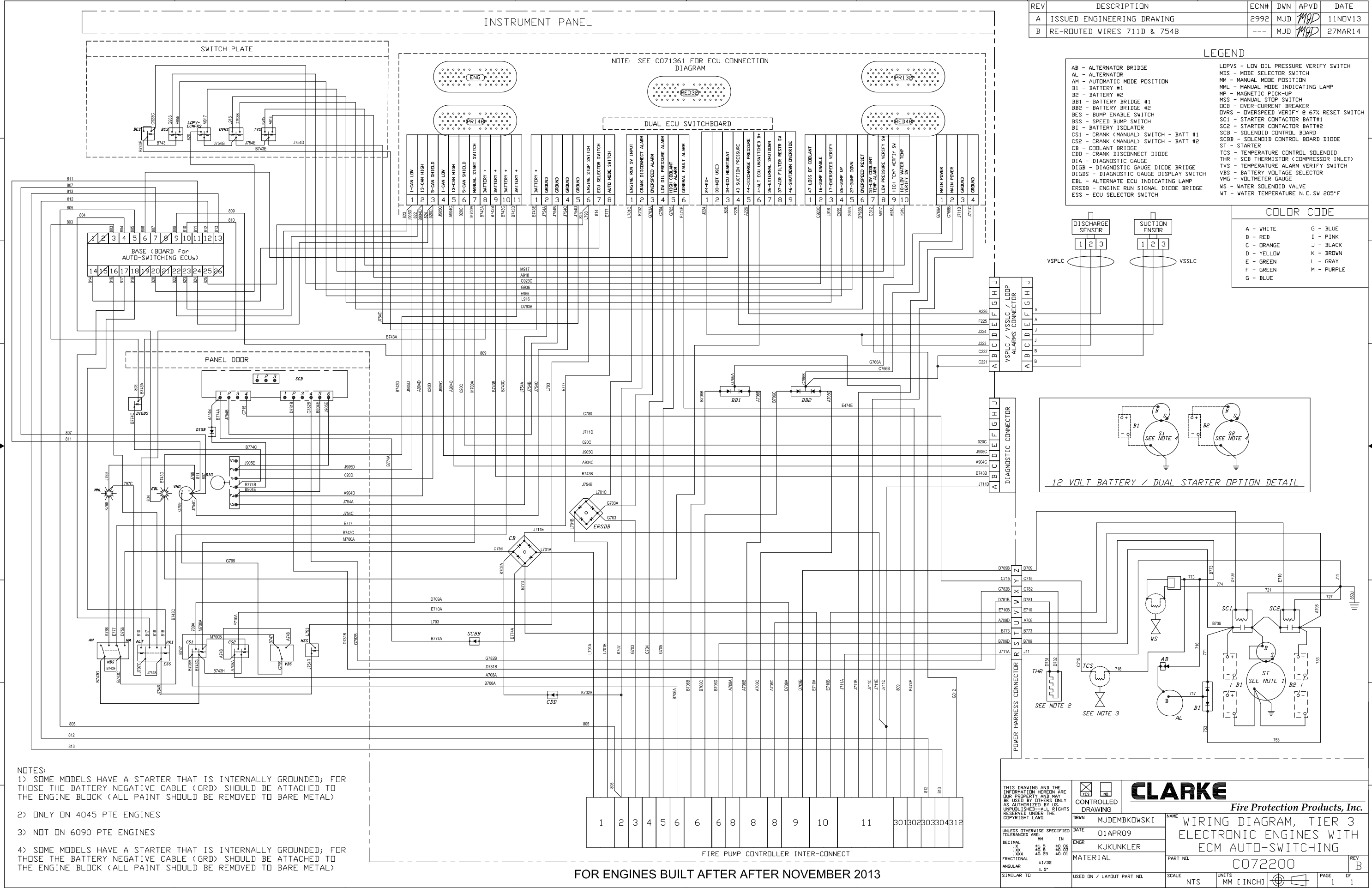
COLOR CODE

A - WHITE	G - BLUE
B - RED	I - PINK
C - ORANGE	J - BLACK
D - YELLOW	K - BROWN
E - GREEN	L - GRAY
F - GREEN	M - PURPLE
G - BLUE	

INSTRUMENT PANEL

NOTE: SEE C071361 FOR ECU CONNECTION DIAGRAM

DUAL ECU SWITCHBOARD



1	2	3	4	5	6	6	8	8	8	9	10	11	30	130	230	330	4312
---	---	---	---	---	---	---	---	---	---	---	----	----	----	-----	-----	-----	------

FIRE PUMP CONTROLLER INTER-CONNECT

FOR ENGINES BUILT AFTER AFTER NOVEMBER 2013

- NOTES:
- 1) SOME MODELS HAVE A STARTER THAT IS INTERNALLY GROUNDED; FOR THOSE THE BATTERY NEGATIVE CABLE (GRD) SHOULD BE ATTACHED TO THE ENGINE BLOCK (ALL PAINT SHOULD BE REMOVED TO BARE METAL)
 - 2) ONLY ON 4045 PTE ENGINES
 - 3) NOT ON 6090 PTE ENGINES
 - 4) SOME MODELS HAVE A STARTER THAT IS INTERNALLY GROUNDED; FOR THOSE THE BATTERY NEGATIVE CABLE (GRD) SHOULD BE ATTACHED TO THE ENGINE BLOCK (ALL PAINT SHOULD BE REMOVED TO BARE METAL)

THIS DRAWING AND THE INFORMATION HEREON ARE OUR PROPERTY AND MAY BE USED BY OTHERS ONLY AS AUTHORIZED BY US. UNPUBLISHED RIGHTS RESERVED UNDER THE COPYRIGHT LAWS.

CLARKE
Fire Protection Products, Inc.

CONTROLLED DRAWING

DRWN M.JDEMCKOWSKI NAME WIRING DIAGRAM, TIER 3 ELECTRONIC ENGINES WITH ECM AUTO-SWITCHING

DATE 01APR09

ENGR KJKUNKLER

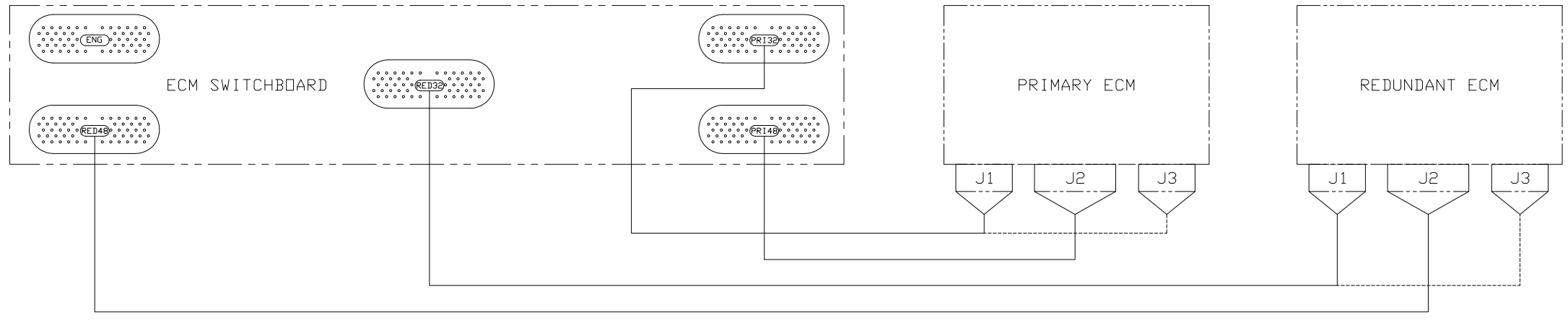
MATERIAL

PART NO. C072200

SCALE NTS

UNITS MM [INCH]

PAGE 1 OF 1



Revision table with columns: REV, DESCRIPTION, ECNH, DWN, APVD, DATE. Includes entries A through D.

Table titled 'PRI48 & RED48 TO ECU J2' containing a detailed list of wire numbers, colors, ECM connections, and descriptions.

Table titled '6068PTE' listing wire numbers, colors, ECM connections, and descriptions.

Table titled '6090PTE' listing wire numbers, colors, ECM connections, and descriptions.

Table titled '6135PTP' listing wire numbers, colors, ECM connections, and descriptions.

Table titled '6068PTP' listing wire numbers, colors, ECM connections, and descriptions.

Table titled '60908PTP' listing wire numbers, colors, ECM connections, and descriptions.

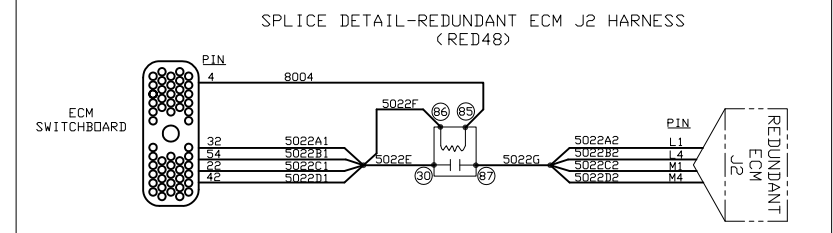
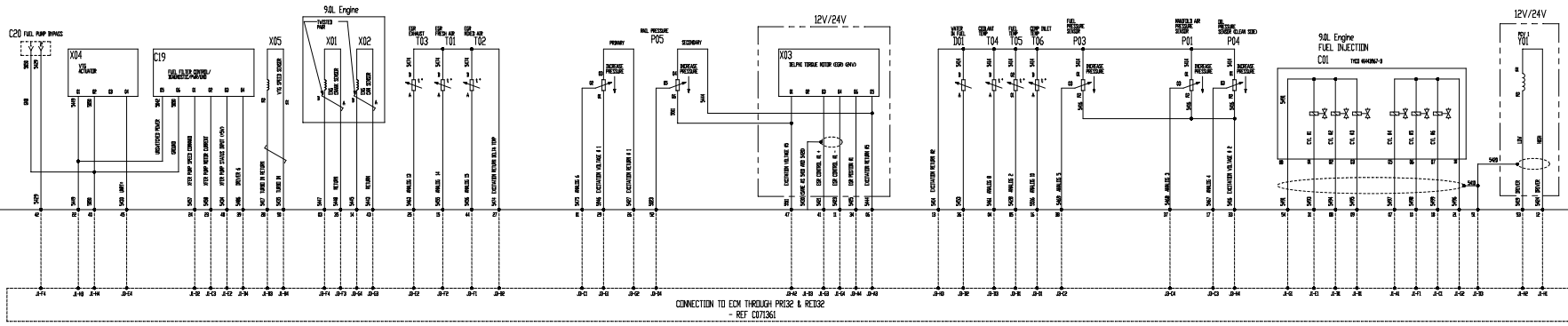


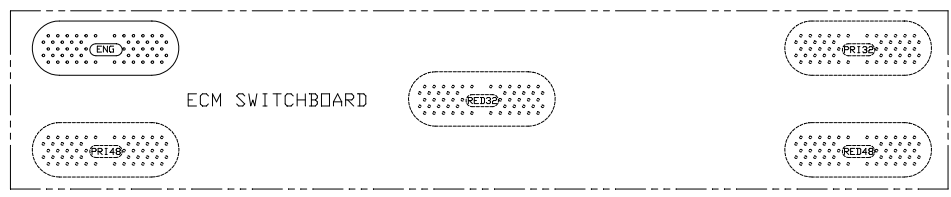
Table mapping JOHN DEERE DESIGNATION to ENGINE MODELS, WIRING DIAGRAM P/N, ECM P/N, and ECM LEVEL.

Technical drawing header including title 'WIRING DIAGRAM, TIER 3 ECU CONNECTIONS', company 'CLARKE Fire Protection Products, Inc.', date '06APR09', and drawing number 'C071361'.

REV	DESCRIPTION	ECN#	DWN	APVD	DATE
A	ISSUED DRAWING	573	KJK		02NDV08



ENG - SWITCHBOARD CONNECTION - 6090PTP



REFERENCE DEERE WIRING DIAGRAM

THIS DRAWING AND THE INFORMATION HEREIN ARE DEERE PROPERTY AND MAY BE USED AS AUTHORIZED BY DEERE & COMPANY UNPUBLISHED. ALL RIGHTS RESERVED UNDER THE COPYRIGHT LAWS.		DESIGNER ERIC J. SCHMAEKE		SCALE 1:1	
MODEL NO. A-5		DRAWING DIAGRAM, SCHEMATIC		DATE CODE L14, 9.0L OEM, CLARKE	
CHANGING A-5		DEERE & COMPANY		DRAWING USE JD90	
SOURCING OPEN X CLOSED		REVISION RG		PART NUMBER RE537846	

THIS DRAWING AND THE INFORMATION HEREIN ARE DEERE PROPERTY AND MAY BE USED AS AUTHORIZED BY DEERE & COMPANY UNPUBLISHED. ALL RIGHTS RESERVED UNDER THE COPYRIGHT LAWS.		<input checked="" type="checkbox"/> CONTROLLED DRAWING		CLARKE <i>Fire Protection Products, Inc.</i>	
DATE DDMMYY		DRAWN NAME ENGINEER		NAME WIRING DIAGRAM, 6090PTP TIER 3 ENG CONNECTION	
UNLESS OTHERWISE SPECIFIED TO DIMENSIONS AND TOLERANCES: DECIMAL: .0005 IN FRACTIONAL: 1/32 IN ANGULAR: ±1/2°		MATERIAL XXXXXXXX		PART NO. C071370	
SIMILAR TO XXXXXXXXXX		USED IN / LAYOUT PART NO.		SCALE NTS	
UNITS MM [INCH]		SHEET NO. 1		PAGE 1	