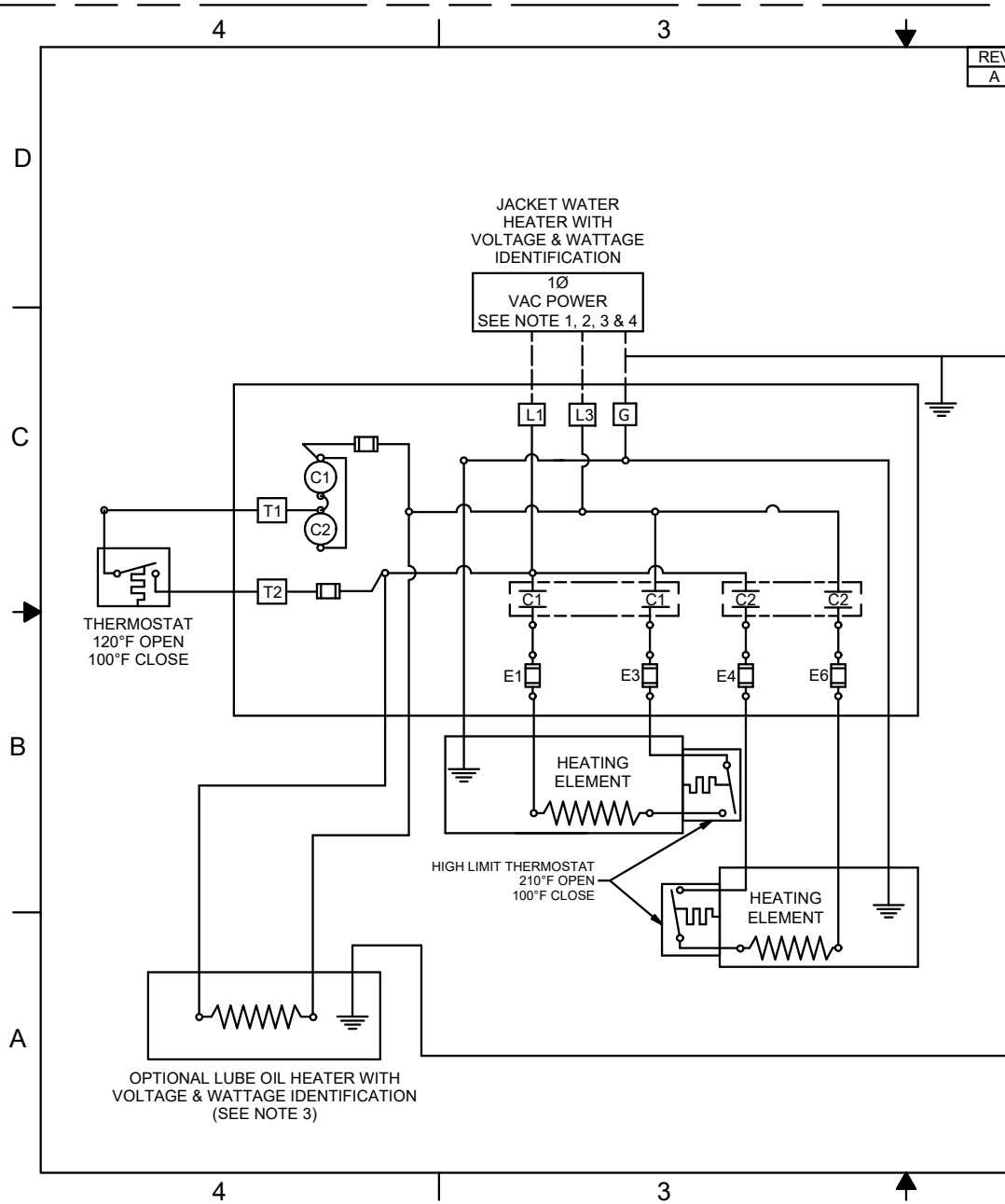


| REV | DESCRIPTION                | ECN# | DWN | APVD | DATE    |
|-----|----------------------------|------|-----|------|---------|
| A   | ISSUED ENGINEERING DRAWING | 6318 | ASC | ASC  | 04APR22 |



**NOTES:**

1. VERIFY HEATER VOLTAGE PRIOR TO CONNECTING TO POWER SOURCE, VERIFY SUPPLY CIRCUIT HAS ADEQUATE AMPERAGE FOR J.W. HEATER AND LUBE OIL HEATER WHEN PROVIDED.
2. THERE ARE TWO (2) J.W. HEATERS INSTALLED ON EACH DT2H (WET) & C32 ENGINE AND EACH IS RATED 2500 WATTS.
3. THE OPTIONAL LUBE OIL HEATER IS RATED 300 WATTS AND WILL ADD THIS ADDITIONAL WATTAGE TO THE POWER SUPPLY CIRCUIT.

**HEATER SYSTEM OPERATION DATA**

|  |                    |
|--|--------------------|
| JACKET WATER HEATER .....                                | STANDARD           |
| WATTAGE (NOMINAL) .....                                  | 2500 (each, qty 2) |
| VOLTAGE - AC, 1P .....                                   | 230 (+5%, -10%)    |
| LUBE OIL HEATER WATTAGE                                  |                    |
| REQUIRED OPTION WHEN AMBIENT IS BELOW 40° F (4° C) ..... | 300 (qty 1)        |

**CONTROLLED DRAWING**  
 This is a registered part with a third party agency for use on a product. No substitutions are allowed. Consult engineering prior to and regarding any change.

|   |  |  |  |              |
|---|--|--|--|--------------|
| <small>THIS DRAWING AND THE INFORMATION HEREON ARE OUR PROPERTY AND MAY BE USED BY OTHERS ONLY AS AUTHORIZED BY US. INFERRED, ALL RIGHTS RESERVED UNDER THE COPYRIGHT LAWS.</small> |  | <input checked="" type="checkbox"/> CONTROLLED DRAWING   | <b>CLARKE</b><br><i>Fire Protection Products, Inc.</i>                       |              |
| <small>MACHINE TOLERANCE</small><br>DECIMAL .mm .inch<br>X. .5<br>X.X .0.8 # 0.06<br>X.XX .0.3 # 0.03<br>X.XXX .0.025 # 0.01<br>X.XXXX .0.001 # 0.001<br>ANGULAR ±.05               |  | DRWN: ACRISTOFARO<br>DATE: 4/4/2022<br>ENGR: ACRISTOFARO | NAME: AC WIRING, DT2H & C32 W/ HIGH LIMIT STAT<br>PART NO: C073339<br>REV: A |              |
| <small>FABRICATION TOLERANCE</small><br>DECIMAL .mm .inch<br>X. ±.5<br>X.X ±.15 # 0.12<br>X.XX ±.05 # 0.05<br>ANGULAR ±.1/2   |  | MATERIAL: N/A<br>ASSEMBLY: DT WET & C32                  | SCALE: NTS<br>UNITS: MM [INCH]   | PAGE: 1 OF 1 |