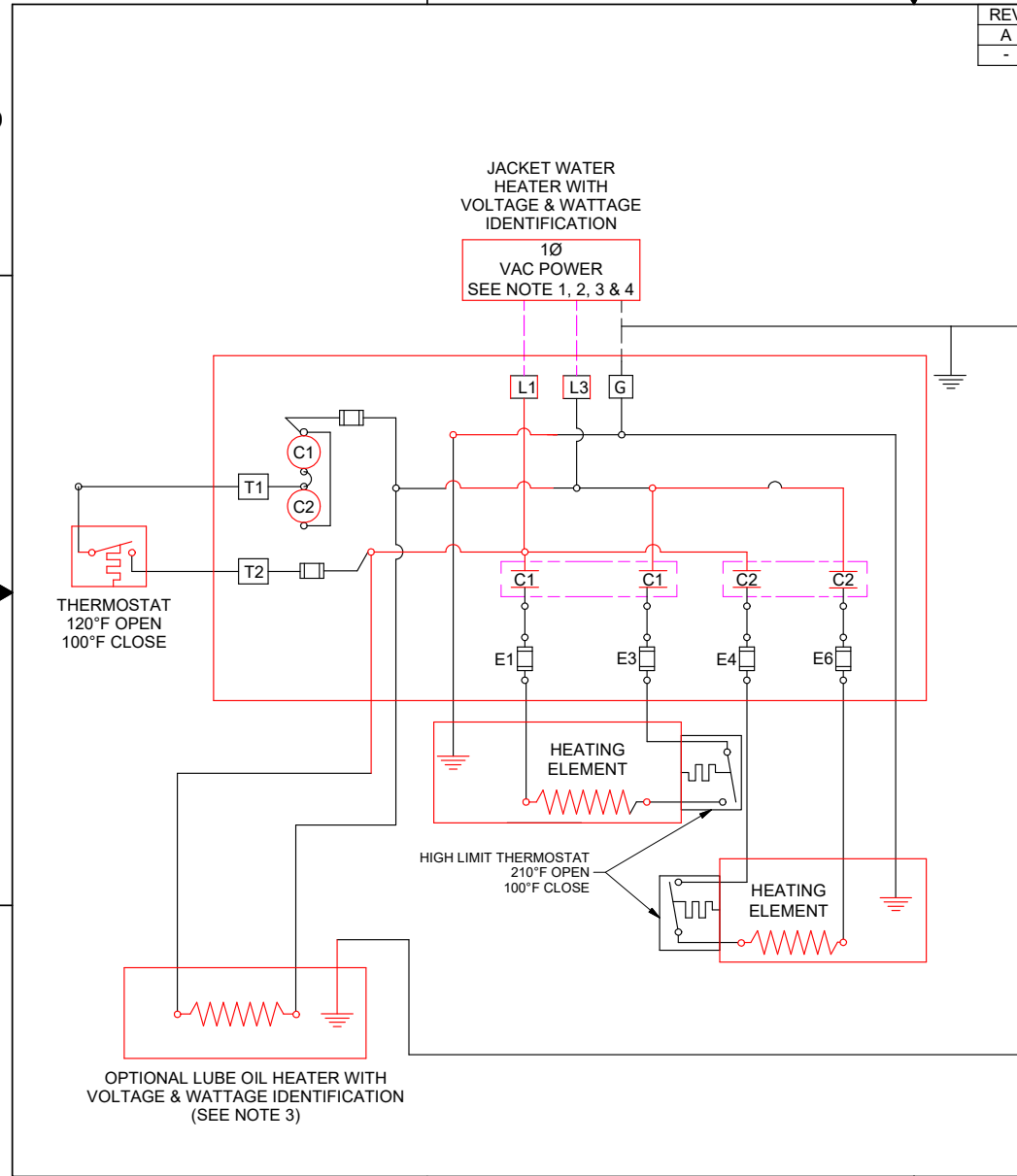


REV	DESCRIPTION	ECN#	DWN	APVD	DATE
A	ISSUED ENGINEERING DRAWING	6318	ASC	ASC	04APR22
-	REMOVED REFERENCE OF DT2H-WET ENGINES	7105	JCA	JCA	06JAN25



**NOTES:**

1. VERIFY HEATER VOLTAGE PRIOR TO CONNECTING TO POWER SOURCE, VERIFY SUPPLY CIRCUIT HAS ADEQUATE AMPERAGE FOR J.W. HEATER AND LUBE OIL HEATER WHEN PROVIDED.
2. THERE ARE TWO (2) J.W. HEATERS INSTALLED ON EACH DT2H (WET) & C32 ENGINE AND EACH IS RATED 2500 WATTS.
3. THE OPTIONAL LUBE OIL HEATER IS RATED 300 WATTS AND WILL ADD THIS ADDITIONAL WATTAGE TO THE POWER SUPPLY CIRCUIT.

**HEATER SYSTEM OPERATION DATA**

JACKET WATER HEATER .....	STANDARD
WATTAGE (NOMINAL) .....	2500 (each, qty 2)
VOLTAGE - AC, 1P .....	230 (+5%, -10%)
LUBE OIL HEATER WATTAGE	
REQUIRED OPTION WHEN AMBIENT IS BELOW 40° F (4° C) .....	300 (qty 1)

**CONTROLLED DRAWING**  
 This is a registered part with a third party agency for use on a product. No substitutions are allowed. Consult engineering prior to and regarding any change.

THIS DRAWING AND THE INFORMATION HEREON ARE OUR PROPERTY AND MAY BE USED BY OTHERS ONLY AS AUTHORIZED BY US. UNLESS INDICATED OTHERWISE, ALL RIGHTS ARE RESERVED UNDER THE COPYRIGHT LAWS.		<input checked="" type="checkbox"/> CONTROLLED DRAWING		<b>CLARKE</b> Fire Protection Products, Inc.	
MACHINE TOLERANCE		DRWN	ACRISTOFARO	NAME	
DECIMAL	mm	inch	DATE	AC WIRING, C32H0 ENGINES W/ HIGH LIMIT STAT	
X.	± 0.5	± 0.02	4/4/2022		
X.X	± 0.8	± 0.06	ENGR	ACRISTOFARO	
X.XX	± 0.3	± 0.03			
X.XXX	± 0.025	± 0.001			
X.XXXX	± 0.001	± 0.0001			
FABRICATION TOLERANCE		MATERIAL	PART NO.		
DECIMAL	mm	inch	C073339		
X.	± 3	± 0.12	ASSEMBLY	SCALE	UNITS
X.X	± 1.5	± 0.06	C32H0 ENGINES	NTS	MM [INCH]
X.XX	± 0.75	± 0.03	PAGE 1 OF 1		REV A
ANGULAR ± 1/2°					