

8

7

6

5

4

3

2

1

INSTRUMENT PANEL

MECAB

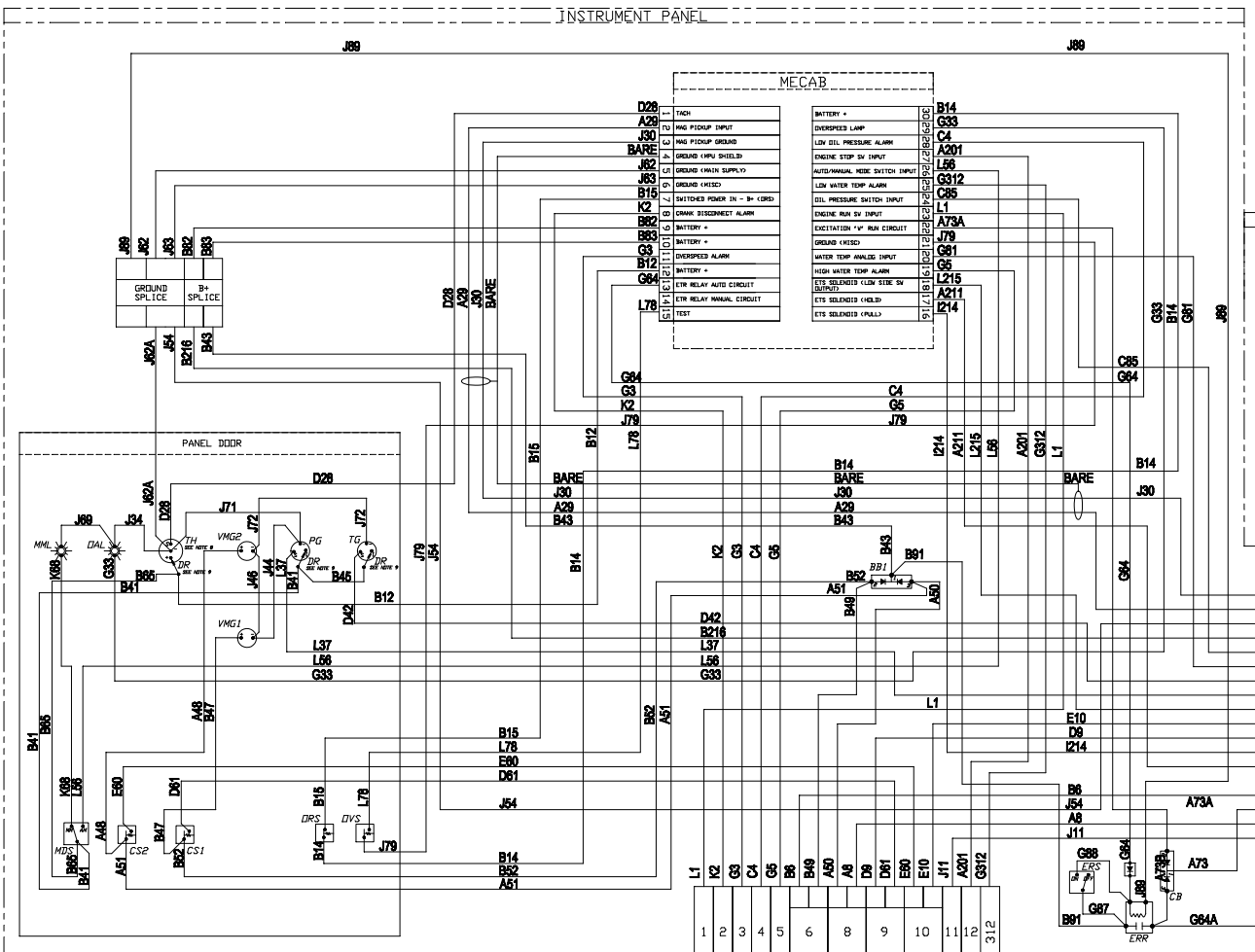
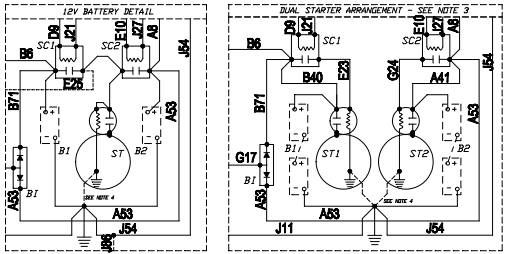
COLOR CODE

A - WHITE	I - PINK
B - RED	J - BLACK
C - ORANGE	K - BROWN
D - YELLOW	L - GRAY
E - GREEN	M - PURPLE
G - BLUE	

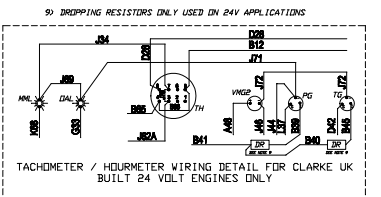
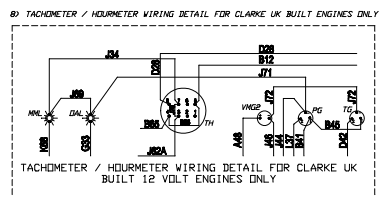
LEGEND

AB - ALTERNATOR BRIDGE	ML - MANUAL NOISE INDICATING LAMP
AL - ALTERNATOR PICKUP	MP - MAGNETIC PICKUP
AM - AUTOMATIC NOISE POSITION	MSS - MANUAL STOP SWITCH
AVS - ALARM VERIFY SWITCH	DAK - OVER-SPEED ALARM LAMP
B1 - BATTERY #1	DAR - OVER-SPEED ALARM RELAY
B2 - BATTERY #2	D2B - OVER-CURRENT BREAKER
B31 - BATTERY BRIDGE #1	GPR - OIL PRESSURE ALARM RELAY
B32 - BATTERY BRIDGE #2	DVS - OVER-CURRENT VERIFY & GTS
B33 - BATTERY BRIDGE #3	IPR - OIL PRESSURE ALARM RELAY
B34 - BATTERY BRIDGE #4	DVS - OVER-CURRENT VERIFY & GTS
B35 - BATTERY BRIDGE #5	IPR - OIL PRESSURE ALARM RELAY
B36 - BATTERY BRIDGE #6	DVS - OVER-CURRENT VERIFY & GTS
B37 - BATTERY BRIDGE #7	IPR - OIL PRESSURE ALARM RELAY
B38 - BATTERY BRIDGE #8	DVS - OVER-CURRENT VERIFY & GTS
B39 - BATTERY BRIDGE #9	IPR - OIL PRESSURE ALARM RELAY
B40 - BATTERY BRIDGE #10	DVS - OVER-CURRENT VERIFY & GTS
B41 - BATTERY BRIDGE #11	IPR - OIL PRESSURE ALARM RELAY
B42 - BATTERY BRIDGE #12	DVS - OVER-CURRENT VERIFY & GTS
B43 - BATTERY BRIDGE #13	IPR - OIL PRESSURE ALARM RELAY
B44 - BATTERY BRIDGE #14	DVS - OVER-CURRENT VERIFY & GTS
B45 - BATTERY BRIDGE #15	IPR - OIL PRESSURE ALARM RELAY
B46 - BATTERY BRIDGE #16	DVS - OVER-CURRENT VERIFY & GTS
B47 - BATTERY BRIDGE #17	IPR - OIL PRESSURE ALARM RELAY
B48 - BATTERY BRIDGE #18	DVS - OVER-CURRENT VERIFY & GTS
B49 - BATTERY BRIDGE #19	IPR - OIL PRESSURE ALARM RELAY
B50 - BATTERY BRIDGE #20	DVS - OVER-CURRENT VERIFY & GTS
B51 - BATTERY BRIDGE #21	IPR - OIL PRESSURE ALARM RELAY
B52 - BATTERY BRIDGE #22	DVS - OVER-CURRENT VERIFY & GTS
B53 - BATTERY BRIDGE #23	IPR - OIL PRESSURE ALARM RELAY
B54 - BATTERY BRIDGE #24	DVS - OVER-CURRENT VERIFY & GTS
B55 - BATTERY BRIDGE #25	IPR - OIL PRESSURE ALARM RELAY
B56 - BATTERY BRIDGE #26	DVS - OVER-CURRENT VERIFY & GTS
B57 - BATTERY BRIDGE #27	IPR - OIL PRESSURE ALARM RELAY
B58 - BATTERY BRIDGE #28	DVS - OVER-CURRENT VERIFY & GTS
B59 - BATTERY BRIDGE #29	IPR - OIL PRESSURE ALARM RELAY
B60 - BATTERY BRIDGE #30	DVS - OVER-CURRENT VERIFY & GTS
B61 - BATTERY BRIDGE #31	IPR - OIL PRESSURE ALARM RELAY
B62 - BATTERY BRIDGE #32	DVS - OVER-CURRENT VERIFY & GTS
B63 - BATTERY BRIDGE #33	IPR - OIL PRESSURE ALARM RELAY
B64 - BATTERY BRIDGE #34	DVS - OVER-CURRENT VERIFY & GTS
B65 - BATTERY BRIDGE #35	IPR - OIL PRESSURE ALARM RELAY
B66 - BATTERY BRIDGE #36	DVS - OVER-CURRENT VERIFY & GTS
B67 - BATTERY BRIDGE #37	IPR - OIL PRESSURE ALARM RELAY
B68 - BATTERY BRIDGE #38	DVS - OVER-CURRENT VERIFY & GTS
B69 - BATTERY BRIDGE #39	IPR - OIL PRESSURE ALARM RELAY
B70 - BATTERY BRIDGE #40	DVS - OVER-CURRENT VERIFY & GTS
B71 - BATTERY BRIDGE #41	IPR - OIL PRESSURE ALARM RELAY
B72 - BATTERY BRIDGE #42	DVS - OVER-CURRENT VERIFY & GTS
B73 - BATTERY BRIDGE #43	IPR - OIL PRESSURE ALARM RELAY
B74 - BATTERY BRIDGE #44	DVS - OVER-CURRENT VERIFY & GTS
B75 - BATTERY BRIDGE #45	IPR - OIL PRESSURE ALARM RELAY
B76 - BATTERY BRIDGE #46	DVS - OVER-CURRENT VERIFY & GTS
B77 - BATTERY BRIDGE #47	IPR - OIL PRESSURE ALARM RELAY
B78 - BATTERY BRIDGE #48	DVS - OVER-CURRENT VERIFY & GTS
B79 - BATTERY BRIDGE #49	IPR - OIL PRESSURE ALARM RELAY
B80 - BATTERY BRIDGE #50	DVS - OVER-CURRENT VERIFY & GTS
B81 - BATTERY BRIDGE #51	IPR - OIL PRESSURE ALARM RELAY
B82 - BATTERY BRIDGE #52	DVS - OVER-CURRENT VERIFY & GTS
B83 - BATTERY BRIDGE #53	IPR - OIL PRESSURE ALARM RELAY
B84 - BATTERY BRIDGE #54	DVS - OVER-CURRENT VERIFY & GTS
B85 - BATTERY BRIDGE #55	IPR - OIL PRESSURE ALARM RELAY
B86 - BATTERY BRIDGE #56	DVS - OVER-CURRENT VERIFY & GTS
B87 - BATTERY BRIDGE #57	IPR - OIL PRESSURE ALARM RELAY
B88 - BATTERY BRIDGE #58	DVS - OVER-CURRENT VERIFY & GTS
B89 - BATTERY BRIDGE #59	IPR - OIL PRESSURE ALARM RELAY
B90 - BATTERY BRIDGE #60	DVS - OVER-CURRENT VERIFY & GTS
B91 - BATTERY BRIDGE #61	IPR - OIL PRESSURE ALARM RELAY
B92 - BATTERY BRIDGE #62	DVS - OVER-CURRENT VERIFY & GTS
B93 - BATTERY BRIDGE #63	IPR - OIL PRESSURE ALARM RELAY
B94 - BATTERY BRIDGE #64	DVS - OVER-CURRENT VERIFY & GTS
B95 - BATTERY BRIDGE #65	IPR - OIL PRESSURE ALARM RELAY
B96 - BATTERY BRIDGE #66	DVS - OVER-CURRENT VERIFY & GTS
B97 - BATTERY BRIDGE #67	IPR - OIL PRESSURE ALARM RELAY
B98 - BATTERY BRIDGE #68	DVS - OVER-CURRENT VERIFY & GTS
B99 - BATTERY BRIDGE #69	IPR - OIL PRESSURE ALARM RELAY
B00 - BATTERY BRIDGE #70	DVS - OVER-CURRENT VERIFY & GTS
B01 - BATTERY BRIDGE #71	IPR - OIL PRESSURE ALARM RELAY
B02 - BATTERY BRIDGE #72	DVS - OVER-CURRENT VERIFY & GTS
B03 - BATTERY BRIDGE #73	IPR - OIL PRESSURE ALARM RELAY
B04 - BATTERY BRIDGE #74	DVS - OVER-CURRENT VERIFY & GTS
B05 - BATTERY BRIDGE #75	IPR - OIL PRESSURE ALARM RELAY
B06 - BATTERY BRIDGE #76	DVS - OVER-CURRENT VERIFY & GTS
B07 - BATTERY BRIDGE #77	IPR - OIL PRESSURE ALARM RELAY
B08 - BATTERY BRIDGE #78	DVS - OVER-CURRENT VERIFY & GTS
B09 - BATTERY BRIDGE #79	IPR - OIL PRESSURE ALARM RELAY
B10 - BATTERY BRIDGE #80	DVS - OVER-CURRENT VERIFY & GTS
B11 - BATTERY BRIDGE #81	IPR - OIL PRESSURE ALARM RELAY
B12 - BATTERY BRIDGE #82	DVS - OVER-CURRENT VERIFY & GTS
B13 - BATTERY BRIDGE #83	IPR - OIL PRESSURE ALARM RELAY
B14 - BATTERY BRIDGE #84	DVS - OVER-CURRENT VERIFY & GTS
B15 - BATTERY BRIDGE #85	IPR - OIL PRESSURE ALARM RELAY
B16 - BATTERY BRIDGE #86	DVS - OVER-CURRENT VERIFY & GTS
B17 - BATTERY BRIDGE #87	IPR - OIL PRESSURE ALARM RELAY
B18 - BATTERY BRIDGE #88	DVS - OVER-CURRENT VERIFY & GTS
B19 - BATTERY BRIDGE #89	IPR - OIL PRESSURE ALARM RELAY
B20 - BATTERY BRIDGE #90	DVS - OVER-CURRENT VERIFY & GTS
B21 - BATTERY BRIDGE #91	IPR - OIL PRESSURE ALARM RELAY
B22 - BATTERY BRIDGE #92	DVS - OVER-CURRENT VERIFY & GTS
B23 - BATTERY BRIDGE #93	IPR - OIL PRESSURE ALARM RELAY
B24 - BATTERY BRIDGE #94	DVS - OVER-CURRENT VERIFY & GTS
B25 - BATTERY BRIDGE #95	IPR - OIL PRESSURE ALARM RELAY
B26 - BATTERY BRIDGE #96	DVS - OVER-CURRENT VERIFY & GTS
B27 - BATTERY BRIDGE #97	IPR - OIL PRESSURE ALARM RELAY
B28 - BATTERY BRIDGE #98	DVS - OVER-CURRENT VERIFY & GTS
B29 - BATTERY BRIDGE #99	IPR - OIL PRESSURE ALARM RELAY
B30 - BATTERY BRIDGE #100	DVS - OVER-CURRENT VERIFY & GTS

ENGINE



- NOTES
- GOVERNOR SOLENOID
 - ENERGIZED TO RUN - J1, J1 STANDARD
 - ENERGIZED TO STOP - J1, J1 OPTIONAL
 - GOVERNOR SOLENOID
 - ENERGIZED TO STOP - DP, DP, DP, DS, DT STANDARD
 - STARTER
 - SINGLE STARTER - J1, DP, DS, DT STANDARD
 - DUAL STARTER - J1 STANDARD
 - 12V BATTERY DETAIL SHOWING FOR 12V SEE 12V BATTERY DETAIL.
 - SINGLE POINT GROUND
 - GROUND STUD PROVIDED ON ENGINE FOR JUNCTION OF BATTERY GROUND CABLES, CONTROLLER GROUND (TERMINAL 11) AND ACCESSORY GROUND.
 - SOME STARTERS HAVE ISOLATED GROUND.
 - SOME GOVERNOR SOLENOIDS HAVE ISOLATED GROUND
 - SOME ALTERNATORS HAVE ISOLATED GROUND
 - WATER SOLENOID VALVE IN RAW WATER SUPPLY COOLING LOOP
 - VALVE AND WIRING SUPPLIED BY OTHERS. 3 AMPS MAX.



CLARKE
Fire Protection Products, Inc.

WIRING DIAGRAM,
MECAB - DEERE, WITH ETR
EMERGENCY OVERRIDE

CONTROLLED DRAWING

DRWN: MJDEMBKOWSKI
ENGR: MJDEMBKOWSKI

DATE: 01MAY13

PART NO: C072199

SCALE: NTS

UNITS: MM [INCH]

PAGE: 1 OF 1