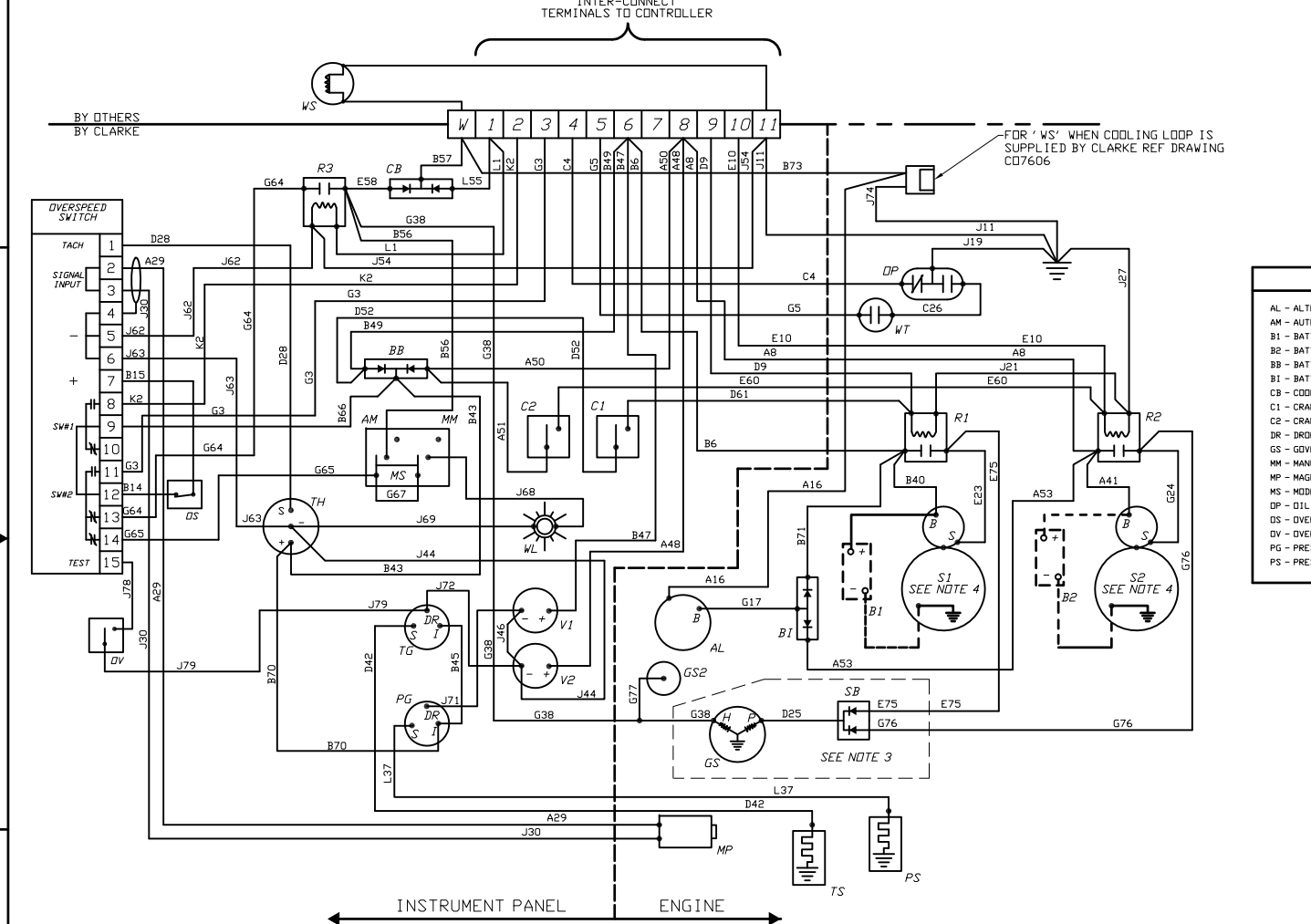


ITEM	MFR. PART NO.	QTY.	DESCRIPTION	MFR.

SYN	REVISION	ECN#	DRN	APVD	DATE
A	ISSUED FROM DRAWING REV #4 WITHOUT CHANGE		DMP	DMP	26AUG96
B	REMOVED A16 FROM GS AND REWIRED A16 TO B73		KJK	DMP	16APR98
C	ADDED CONTROLLED DWG. NOTE, CHANGED CONNECTION BETWEEN ALTERNATOR AND A16 ZONE (BS)		CPB	JTW	17APR98
D	ADDED OVERSPEED VERIFY CIRCUITRY		SEN		01SEP98
E	MODIFIED J79		MAL	LD	08JUL99
F	ADDED J72, CHANGED TEMP. & PRESSURE GAUGE CONN. SYMBOLS		MAL	LD	12JUL99
G	ADDED NOTE 3		MAL	LD	23JUL99
H	UPDATED DRAWING	139	SK	KJK	22AUG02
J	CHANGED J44 WIRE FROM V1 TO V2, ADDED J71 WIRE TO V1 TO PG, REMOVED J72 WIRE FROM V1 TO TG, CHANGED J72 WIRE WAS V2 TO PG, NEW 1S V2 TO TG, ADDED G65 WIRE FROM MS TO OVERSPEED SWITCH #14, CHANGED B66 WIRE FROM #14 TO #9	139	MAL	KJK	14OCT02



LEGEND

AL - ALTERNATOR	R1 - RELAY #1 (CRANKING)
AM - AUTOMATIC MODE POSITION	R2 - RELAY #2 (CRANKING)
B1 - BATTERY #1	R3 - REMOTE RUN RELAY N.O.
B2 - BATTERY #2	S1 - STARTER #1
BB - BATTERY BRIDGE	S2 - STARTER #2
B1 - BATTERY ISOLATOR	SB - STARTER BRIDGE
CB - COOLANT BRIDGE	S1 - STARTER ISOLATOR
C1 - CRANK (MANUAL) SWITCH-BATT #1	SW#1 - CRANK TERMINATE
C2 - CRANK (MANUAL) SWITCH-BATT #2	SW#2 - OVERSPEED
DR - DROPPING RESISTOR (24V DNLY)	TG - TEMPERATURE GAUGE (WATER)
GS - GOVERNOR SOLENOID	TH - TACHOMETER - HOURMETER
MM - MANUAL MODE POSITION	TS - TEMPERATURE SENDER (WATER)
MP - MAGNETIC PICK-UP	V1 - VOLTMETER / BATT #1
MS - MODE SELECTOR	V2 - VOLTMETER / BATT #2
DP - OIL PRESSURE 20#	WL - WARNING LAMP *CONTROLS NOT IN AUTOMATIC POSITION*
DS - OVERSPEED RESET N.C.	WS - WATER SOLENOID VALVE (PROVIDED BY OTHERS)
DV - OVERSPEED VERIFY @ 67%	WT - WATER TEMPERATURE N.O. SV 205°F
PG - PRESSURE GAUGE (LUBE)	
PS - PRESSURE SENDER (LUBE)	

COLOR CODE

A - WHITE	G - BLUE
B - RED	I - PINK
C - ORANGE	J - BLACK
D - YELLOW	K - BROWN
E - GREEN	L - GRAY
F - GREEN	M - PURPLE
G - BLUE	

CONTROLLED DRAWING

This is a registered part with FM/UL for use on an approved/ listed fire pump driver. No substitutions are allowed. Consult engineering prior to and regarding any change.

- NOTES:
- BROKEN LINE (---) SYMBOLS INDICATE COMPONENTS NOT SUPPLIED BY CLARKE.
 - REFER TO ENGINE MODEL INSTALLATION DATA SHEET FOR SPECIFIC BATTERY AND CABLE SIZE REQUIREMENTS.
 - GS AND SB ON 04HN, 04HT, AND 06HT MODELS ONLY.

FOR CLARKE US ENGINES BUILT
BEGINNING FEBRUARY 2003

MATERIAL:	DWN: SENDLITE	
DATE: 11MAR96	ENGR: JTWITNEY	
UNLESS OTHERWISE SPECIFIED TOLERANCES ARE:	CHK:	WIRING DIAGRAM, F. P. ENGINE w/ ELECTRIC GAUGES & DUAL STARTERS NEGATIVE GROUND, 12VDC
SIZE: PART NO. D	SCALE: NONE	C07671
USAGE: 700	INSPI: Y	SHEET OF 1 1